

Oscar

Autospeed

Powerful



8t

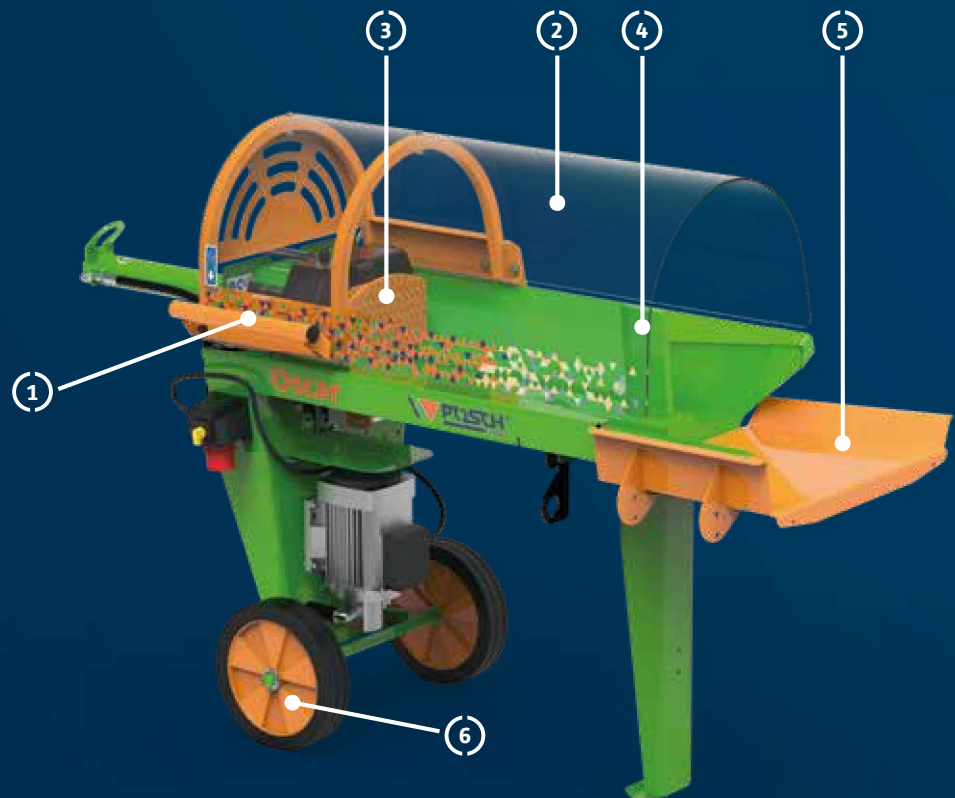
max. splitting power

Large



30 cm

Log diameter max.



Oscar (E3-400-R) with a 2-way splitting wedge as standard

Oscar & Polly

What makes our short log splitters so unique?

1 Safe one-hand operation



Close the flap and start splitting! The splitting process starts automatically once you close the protective polycarbonate enclosure – no second work step required, no 2-hand operation. You have a clear view of the splitting channel and your hands free to prepare the next log.

2 Protective polycarbonate enclosure



Innovative, unique – and protects what we love: You and all people working with you! The polycarbonate enclosure is transparent and robust and allows you to keep an eye on everything!



Polly (E5,5-R) with 6-way splitting wedge and "large" wood storage table

Watch Oscar & Polly
in action at:
[www.posch.com/en/
log-splitter](http://www.posch.com/en/log-splitter)

The splitting machine that can be safely operated with one hand.

Oscar & Polly – horizontal splitters for firewood and kindling

Split your short logs with a whopping 8 tons of splitting force and handy single hand operation!

Polly makes all wishes come true

Our powerful Polly splitting machine with its 8 tons of splitting force is equipped with a hydraulic, height adjustable 4-way splitting wedge as standard. This allows for centred splitting depending on log diameter – resulting in uniform billets. Optionally it can be equipped with a 2-, 3- or 6-way wedge. Additionally, Polly is available with different drive types such as electric, petrol engine or PTO shaft.

Flexible work with chassis

Optionally our Polly is available with a three-point linkage or PKW- tractor- chassis – for flexible deployments away from home and farm. As standard, Polly comes with manual chassis and transport aid.



The road chassis (item no. SBL) serves to effortlessly move Polly around.

Want something even more compact? Oscar is your guy!

Oscar, Polly's little brother

Oscar gets right to the point: Simple operation, combined with compact dimensions. That's no reason to hide, though: Depending on the model, it offers 5, 6 or 8 tons of splitting force for logs with a diameter of up to 30 cm and length of 50 cm. If you like it even more practical: optionally, you can get a reversible 4-way splitting wedge for 4 billets per splitting stroke.

Quick and safe working

Regardless of whether you want to turn your logs into firewood using Oscar or Polly: You always work safely and every splitting process is performed effortlessly. You initiate the splitting process with a single hand and thanks to the transparent polycarbonate cover, you have an eye on everything, while your hands are protected!



Simple firewood production with the standard 2-way splitting wedge with optional additional shelf (F0005685).



Via its manual chassis, Oscar can be effortlessly transported to the work site.



Oscar: The optional 4-way reversible splitting wedge can be used on both sides for various diameter logs.



Want more speed?

Oscar is also available in a Turbo version (article no. M6860NR) with massive feed speeds. As a nice side effect, it's also quieter. A larger e-motor with 5.5 kW and larger hydraulic pump that runs at lower speeds makes that possible.



The powerful 5.5 kW e-motor in detail. Here you can also see the parking device for the splitting wedge on the back.

Oscar

▶ Autospeed

400V 

The splitting machine that can be safely operated with one hand

- **Splitting force** 5, 6 or 8 t
- **Log diameter** up to 30 cm
- **Billet length** max. 50 cm
- **Cylinder stroke** max. 54 cm
- **Adjustable splitting stroke**
- **1 hand comfort controls** with independent return stroke
- **Splitting wedge** 2-way as standard (4-way reversible splitting wedge optional)
- **Tank capacity** 7.5l hydraulic fluid
- **Transport** solid rubber wheels \varnothing 30 cm (transport aid optional)
- **Special equipment** large wood storage table



Oscar E5.5-400-R with "large" wood storage table and 4-way reversible splitting wedge

Oscar

Select the right debarking machine based on drive type. Construction according to standard EN 609-1.

Article no.	Type	Drive	Max. punching speed cm/s		Splitting force t	Weight kg
			Supply step 1/2	return speed		
M6860NR	E5,5-400-R ^①	5.5-kW E-motor 400V, S6, CEE 16A	8/22	13	8	~ 180
M6790NR	E3-400-R ^①	3-kW E-motor 400V, S6, CEE 16A	6/12	13	6	~ 164
M6791NR	E3-230-R ^②	3-kW E-motor 230V, S6	5/10	11	5	~ 160

Optional equipment & chassis

Only possible with initial equipment, incl. installation

Article no.	Name
L (SO1427)	Surcharge for Large wood storage table, operator side (630 x 565 mm) incl. additional shelf (380 x 220 mm) to easily post-process logs (item no. F0004685)

Accessories

More power and user-friendliness for woodwork

Article no.	Name
F0002179	Hour counter for machines with E-drive
F0004686	Transport aid for effortless machine transport
F0004709	4-way reversible slide-on splitting wedge (can be attached in 2 positions)
F0004685	Operator side additional shelf (380 x 220 cm) for effortless post-processing of logs

"Large" wood storage table



For even easier billet storage. Log halves are within comfortable reach and can be post-processed if required. Article no. L

Reverse splitting cross



For 4 billets per work process – incl. handy parking position on back. Item no. F0004709

Transport aid



With our transport aid, you can get Oscar to his work site even more easily! Item no. F0004686

① E-drive: with motor circuit breaker and phase inverter ② E-drive with motor circuit breaker