

For Large and Demanding Tasks



TP 250 PTO

RELIABLE CHIPPING

DESIGNED

MANUFACTURED

DENMARK



TP 250 PTO offers an optimal combination of functionality, size and capacity when attending tasks in parks, gardens and landscaping. Tractor effect 60 - 140 hp.



The all-round PTO wood chipper

- A wood chipper with a strong construction dimensioned to handle everything from finger-thick branches to trees with a diameter up to 250 mm
- TP 250 PTO has a powerful in feed based on the two hydraulic feed rollers, three blades and counter steel
- Versatile use for tractor sizes 60 - 140 hp
- A replaceable casing at the bottom of the rotor housing helps to reduce maintenance costs

Trust in
the quality



As one of the first manufacturers of wood chippers worldwide, Linddana is offering a 3 year warranty for the complete range of TP Landscape Wood Chippers.



Optimise your up-time with the TP SERVICEBOX
with critical wear parts (included)



TP 250 PTO

Technical Data

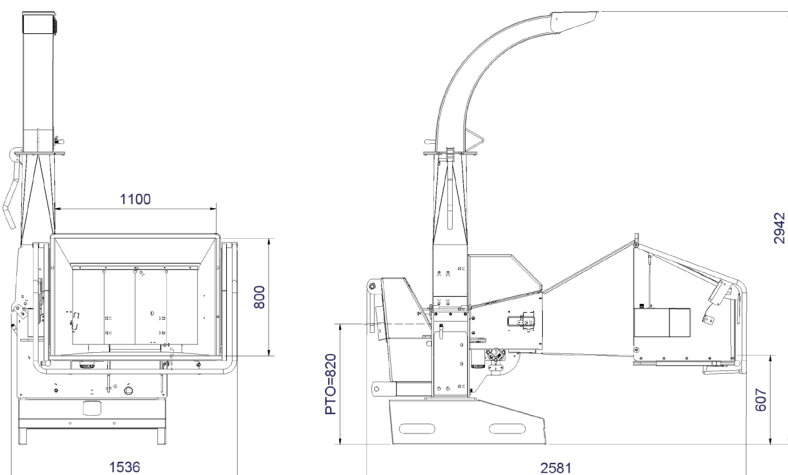
Max. wood diameter	250 mm
Infeed opening	H x W = 260 x 350 mm
Chipping principle	Disc chipper
In feed angle	Parallel to driving direction
Feed rollers	2 horizontal
Rotor disc diameter	960 mm
Rotor disc weight	266 kg
Number of blades	3
Counter steel	1 horizontal and 2 vertical
Chip length	4 - 13 mm
Effect need min.-max.	60 - 140 hp (45 - 104 kW)
PTO rotations per minute	1000 rpm
Capacity	Up to 50 m ³ /hour
Weight	1065 kg
Dimensions H x W x L	2942 x 1536 x 2581 mm



The end product is a first class quality wood chip from 4 to 13 mm. The chip size is hydraulically adjustable.



TP 250 PTO is equipped with a folding funnel with the operating bar hinged at the top. The ejector spout is rotatable (300 degrees).



Linddana A/S

T +45 75 80 52 00

tp@linddana.com

www.linddana.com

