

User friendly and Compact



TP 130 MOBILE

RELIABLE CHIPPING

DESIGNED

MANUFACTURED

DENMARK



TP 130 MOBILE is ideal for various landscaping tasks for instance green keeping, parc and cemetery maintenance



A popular towable wood chipper

- TP 130 has one hydraulic driven feed roller giving a strong and aggressive infeed
- Chips produced are 8 mm long and very uniform
- Operation bar for start/stop/reverse of the feed rollers and a turnable discharge spout
- TP PILOT - stress control system with hour counter
- Scrapers to secure against accumulation of material at the feed rollers and rotor housing

Trust in
the quality



As one of the first manufacturers of wood chippers worldwide, Linddana is offering a 3 year warranty for the complete range of TP Landscape Wood Chippers.



Optimise your up-time with the TP SERVICEBOX
with critical wear parts (included)

TP 130 MOBILE

Technical Data

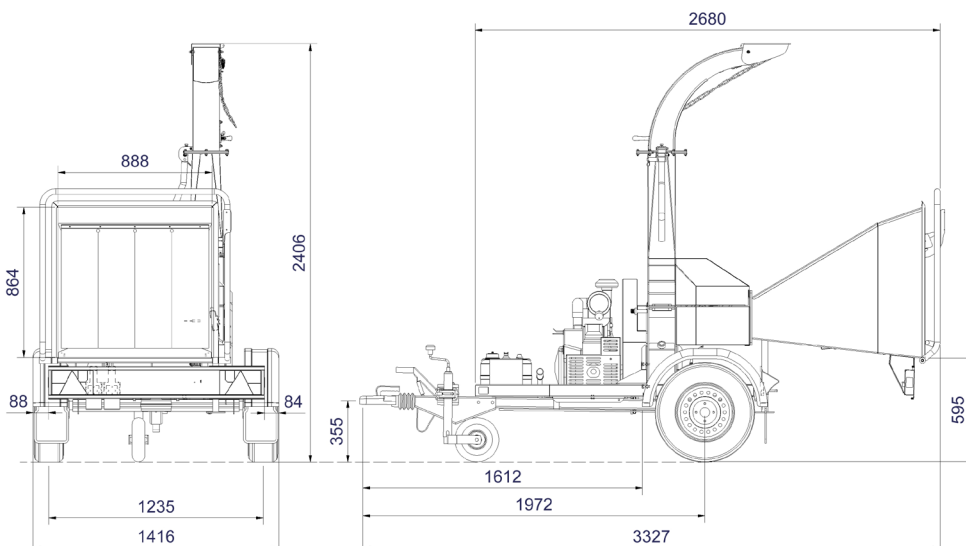
Max. wood diameter	130 mm
Opening at the drum	H x W = 130 x 221 mm
Chipping principle	Disc
In feed angle	Parallel to driving direction
Feed rollers	1 horizontal
Rotor diameter	660 mm
Rotor weight	82 kg
Number of blades	2 pcs.
Counter steel	1 horizontal, 1 vertical
Chip length	8 mm
Engine	Kohler (gasoline)
Engine power	24 hp
Capacity	Up to 4 m ³ /hour
Weight	680 kg
Dimensions H x W x L	2406 x 1416 x 3327 mm



The functions of the stress control system, TP PILOT, includes monitoring the feed roller rotation speed, hour counter and control of start and stop of the feed rollers.



The hydraulic driven feed roller with tooth discs made from wear steel gives the machine a strong and aggressive in feed.



Linddana A/S

T +45 75 80 52 00

tp@linddana.com

www.linddana.com

