

Price List

2022

+19% from
20/04/2022

Valid from 01.02.2021 until 31.08.2022



TUCHEL
MASCHINENBAU GmbH

www.evogreen.be

Tél.: +32 (0)87 88 10 24

INDEX

TUCHEL-SWEEP

Road sweepers

1162 - SIMPLEX	Ø 400 mm	4
1752 - KOMPAKT	Ø 520 mm	5
1353 - ECO Pro	Ø 520 mm	6
1382 - PLUS 590	Ø 590 mm	7
1552 - PROFI 660	Ø 660 mm	8
1561 - PROFI-CHAMP	Ø 750 mm	9
1581- PROFI-GIGANT	Ø 800 mm	10
1781 - BIG	Ø 600 mm	11
1821 - IDEAL 650	Ø 650 mm	12
1101 - SOLO		13
1911, 1901 - WB 750 und 1941 - HYDRO DRIVE		14

TUCHEL-SNOW

Snow blades / Snow plows

1192 - L-SK	15
1342 - SK-K	16
1371 - SK-F	17
1371 - L-SF	18
1332 - SF	19
1322 - VARIO	20
1301 - Salt spreader TS 120 / 200	21

TUCHEL-TRAC

Vehicles

1601 - TUCHEL-TRAC TRIO	22
1676 - TUCHEL-TRAC MINI 3	24
1432 - TUCHEL-TOOL FARM-CLEAN	25

Technical data sheet „A-frame“	26
Technical data sheet „Three-point linkage“	27
Technical data sheet „3-D levelling“ and „Hydraulic connectors“	28
Technical data sheet „Brooms“ and Export Sales Team	29
Notes	30



1162 SIMPLEX road sweeper - only for front-mounting (mechanical / hydraulic)

	120 cm	135 cm	150 cm
WORKING WIDTH IN ANGLED POSITION	113 cm	127 cm	141 cm
Basic machine incl.: brush adjustment by spindle, mechanical angling, brush ø 400 mm, 100 % PP Brush segment, support wheels Ø 180 x 50 mm, available with PTO-drive via PTO-shaft, Transmission angle adjustable (PTO shaft included) height of the PTO shaft on the vehicle max. 40 cm or hydraulic drive incl. attachment system, optionally:	2.849,-	3.005,-	3.107,-
A-frame CAT communal with FIXED mounting bracket (see page 26)			
A-frame CAT 0 with FIXED mounting bracket (see page 26)			
Three-point linkage CAT I / II with FIXED mounting bracket (see page 27)			
Quick-hitch for Tichel-Trac TRIO with FIXED mounting bracket			
Quick-hitch for front mowers (direct mounting - adjustment required) with FIXED mounting bracket			
3-D floating system	164,-	164,-	164,-
Attachment system for yard loaders or municipal utility vehicles incl. 3-D floating system	204,-	204,-	204,-
Brush ø 400 mm, 50 % PP / 50 % wire brush segment (not to be used for agriculture)	67,-	72,-	81,-
Brush ø 400 mm, 100 % PP snow brush, for the winter service	57,-	64,-	70,-
Splash guard for the winter service , extra long, adjustable	193,-	205,-	219,-

1162 Dirt collection equipment

Hopper incl. PU-lip (polyurethane), hydraulic emptying (one double-acting hydraulic drive circuit required) incl. shut-off valve for simple sweeping (no dismounting of hopper required), incl. 3rd support wheel Ø 180 x 50 mm and pendulum on mounting bracket to compensate for ground unevenness.	998,-	1.050,-	1.078,-
--	-------	---------	---------

1162 Options

Hydraulic angling • one double-acting hydraulic drive circuit required - cannot be coupled with further functions	381,-	381,-	381,-
Electro-magnetic commutator 12 V (for vehicles with only one double-acting hydraulic drive circuit)	563,-	563,-	563,-
Side brush ø 500 mm, brush 100 % PP • hydraulic, incl. spring segment and speed adjustment, one simple-acting respectively one double-acting hydraulic drive circuit required - can be coupled with hydraulic emptying and/or hydraulic drive	1.015,-	1.015,-	1.015,-
Water-spray system for side brush	86,-	86,-	86,-
Water-spray system • 12 V intermitting pump, switch board, 100 l water tank and rear 3-point linkage (CAT I / II) for the tank	1.551,-	1.551,-	1.551,-
Water-spray system • without water tank incl. intermitting pump and switch board	726,-	726,-	726,-
Side-marker lamps (LED) • prescribed to drive on public roads	(price for 2 pcs.) 278,-	278,-	278,-
Signal flag holders and Signal flags	(price for 2 pcs.) 98,-	98,-	98,-
Colour option • acc. to RAL (RAL 2004 = standard)	246,-	246,-	246,-

Packaging + Freight (net)	145,-	155,-	175,-
----------------------------------	-------	-------	-------

IMPORTANT! Please always specify in orders:
Speed, turning direction and profile of PTO shaft, as well as the attachment system!



1752 KOMPAKT road sweeper - only for front-mounting (mechanical / hydraulic)

WORKING WIDTH IN ANGLED POSITION	135 cm 127 cm	150 cm 141 cm	175 cm 165 cm	200 cm 188 cm
Basic machine incl.: easy brush adjustment via adjusting lever, mechanical angling, splash guard, brush ø 520 mm, 100 % PP-Beeline brush elements in honey-comb shape, a particular bushy brush ensures high durability, support wheels ø 200 x 50 mm, available with				
PTO-drive via PTO-shaft, height-adjustable gear (included in delivery) height of the PTO shaft on the vehicle under 47 cm or hydraulic drive	3.604,-	3.680,-	3.821,-	3.986,-
A-frame CAT communal with FIXED mounting bracket (see page 26)				
A-frame CAT 0 with FIXED mounting bracket (see page 26)				
Three-point linkage CAT I / II with FIXED mounting bracket (see page 27)				
Quick-hitch for Tichel-Trac TRIO with FIXED mounting bracket				
Quick-hitch for front mowers (direct mounting - adjustment required) with FIXED mounting bracket				
3-D floating system	181,-	181,-	181,-	181,-
Attachment system for yard loaders or municipal utility vehicles incl. 3-D floating system	302,-	302,-	302,-	302,-
Brush ø 520 mm, 50 % PP / 50 % wire brush elements (not to be used for agriculture)	76,-	89,-	102,-	115,-
Brush ø 520 mm, 100 % PP snow brush, for the winter-service	68,-	81,-	93,-	105,-
Splash guard for the winter service, extra long, adjustable	209,-	209,-	209,-	209,-

1752 Dirt collection equipment

Hopper incl. PU-lip (polyurethane), hydraulic emptying (one double-acting hydraulic drive circuit required) incl. shut-off cock for simple sweeping (no dismounting of hopper required), incl. 3rd support wheel ø 200 x 50 mm (ensures a regular pressure and guide downwards)	1.018,-	1.064,-	1.109,-	1.154,-
High-fill flap inside the hopper, provides approx. + 30 % fill-capacity	74,-	74,-	105,-	105,-

1752 Options

Hydraulic angling • one double-acting hydraulic drive circuit required - cannot be coupled with other functions	381,-	381,-	381,-	381,-
Electro-magnetic commutator 12 V, for vehicles with only one double-acting hydraulic drive circuit	563,-	563,-	563,-	563,-
Side brush ø 600 mm brush 100 % PP hydraulic, incl. spring segment and speed adjustment, one simple-acting respectively double-acting drive circuit required • right • left - can be coupled with hydraulic emptying and/or hydraulic drive	1.091,- 1.319,-	1.091,- 1.319,-	1.091,- 1.319,-	1.091,- 1.319,-
Water-spray system for side brush	86,-	86,-	86,-	86,-
Water-spray system 12 V intermitting pump, switch board, 100 l water tank • on the machine or • rear 3-point linkage (CAT I / II) for the tank	1.236,- 1.551,-	1.236,- 1.551,-	1.236,- 1.551,-	1.236,- 1.551,-
Water-spray system • without water tank incl. intermitting pump and switch board	726,-	726,-	726,-	726,-
3rd support wheel • for simple sweeping road sweeper, height adjustable, ø 200 x 50 mm	237,-	237,-	237,-	237,-
Extra strong wheels • for hard working conditions and very uneven surfaces, ø 200 x 50 mm, steel-welded	111,- / pc.	111,- / pc.	111,- / pc.	111,- / pc.
Side-marker lamps (LED) • prescribed to drive on public roads	(price for 2 pcs.) 278,-	278,-	278,-	278,-
Signal flag holders and Signal flags	(price for 2 pcs.) 98,-	98,-	98,-	98,-
Colour option acc. to RAL (RAL 2004 = standard)	246,-	246,-	246,-	246,-

Packaging + Freight (net)	155,-	175,-	185,-	205,-
----------------------------------	-------	-------	-------	-------

IMPORTANT! Please always specify in orders:
Speed, turning direction and profile of PTO shaft, as well as the attachment system!



1353 ECO Pro road sweeper (hydraulic)

	135 cm	150 cm	180 cm	230 cm
WORKING WIDTH IN ANGLED POSITION	127 cm	141 cm	169 cm	211 cm
Basic machine incl.: mechanical angling, splash guard, strong hydraulic motor, brush ø 520 mm, 100 % PP brush segment, simple brush adjustment via adjusting lever with optimized sweeping angle height adjustable brand named wheels ø 200 x 50 mm	1.830,-	1.890,-	1.980,-	2.140,-
Brush ø 520 mm, 50 % steel wire / 50 % PP brush segments (not to be used for agriculture)	180,-	200,-	220,-	250,-
Brush ø 520 mm, 100 % PP snow brush, for the winter service	73,-	83,-	92,-	104,-
Brush ø 520 mm, 100 % PP brush rings, honey-comb shaped, bushy long-life brush, excellent for coarse dirt (for subsequent retrofit from brush segment to brush rings, another shaft is required; price on enquiry)	152,-	165,-	179,-	193,-

Attachment systems

Three-point linkage CAT I / II, rigid attachment (<i>see page 27</i>)	416,-	416,-	416,-	416,-
Yard loader attachment system / front loader plate, pivoting part with parallelogram and pendulum compensation, incl. height indicator	949,-	949,-	949,-	949,-
Fork-tines attachment 150 x 60 mm , pivoting part incl. parallelogram and height indicator	866,-	866,-	866,-	866,-
Extra charge for bigger fork-tines (200 x 100 mm)	177,-	177,-	177,-	177,-
A-frame CAT communal / 0 / I, pivoting part incl. pendulum compensation and screw-lip (<i>see page 26</i>)	750,-	750,-	750,-	750,-
Side levelling	217,-	217,-	217,-	217,-

1353 Dirt collection equipment

Hopper with PU-lip, hydraulic emptying, incl. mechanical shut-off cock for simple sweeping (no dismounting of hopper required), 1 double-acting hydraulic-drive circuit required	1.060,-	1.110,-	1.145,-	1.200,-
---	---------	---------	---------	---------

1353 Options

3rd support wheel only for front mounting ø 200 x 50 mm (<i>required for all attachment systems with a parallelogram</i>)	368,-	368,-	368,-	368,-
Hydraulic angling (one additional double-acting hydraulic drive circuit required)	451,-	451,-	451,-	451,-
Electro-magnetic commutator (EM) 12/24 V, (on each hydraulic function) (for vehicles with only one double-acting hydraulic drive circuit)	716,-	716,-	716,-	716,-
Water-spray system 12/24 V, intermitting pump and switch board, side brush (if ordered), will also be equipped w/water-spray device				
• 100 l tank	1.236,-	1.236,-	1.236,-	1.236,-
• 200 l tank	-----	-----	1.427,-	1.427,-
• without tank	818,-	818,-	818,-	818,-
Side brush, ø 600 mm, brush 100 % PP , incl. spring segment and shut-off cock - can be coupled with hydraulic emptying and / or hydraulic drive - only possible in combination with hopper	1.065,-	1.065,-	1.065,-	1.065,-
Extra strong wheels ø 200 x 50 mm, steel-welded	111,-/pc.	111,-/pc.	111,-/pc.	111,-/pc.
Colour option acc. to RAL (RAL 2004 = standard)	246,-	246,-	246,-	246,-

Packaging + Freight (net)	145,-	155,-	165,-	205,-
----------------------------------	-------	-------	-------	-------



1382 PLUS road sweeper (hydraulic)

WORKING WIDTH IN ANGLED POSITION	135 cm	150 cm	180 cm	200 cm	230 cm	260 cm
	127 cm	141 cm	169 cm	187 cm	216 cm	244 cm
Basic machine incl.: stable basic frame incl. mounting device; hydraulic drive with a strong hydraulic motor; broom with overrun control; in the return integrated drain line; brush ø 590 mm; 100 % PP WaveLine mixture with CrownLock system, for excellent sweeping results and high longevity; simple brush adjustment via adjusting lever with optimized sweeping angle; mechanical angling; brand-named wheels ø 250 x 50 mm	2.730,-	2.836,-	2.974,-	3.112,-	3.372,-	3.942,-
internal motor	518,-	518,-	518,-	518,-	518,-	518,-
Splash guard for simple sweeping application, extra long (380 mm) incl. splash protection flap	254,-	254,-	271,-	271,-	281,-	292,-
Brush ø 590 mm, 100 % PP brush rings in honey-comb shape no extra charge	-----	-----	-----	-----	-----	-----
Brush ø 590 mm, 50 % PP / 50 % wire brush rings	96,-	96,-	138,-	138,-	181,-	181,-
Brush ø 590 mm, 100 % Snowline brush rings in honey-comb shape, for the winter service	47,-	47,-	70,-	70,-	90,-	90,-

Attachment systems

Three-point linkage CAT I/II rigid attachment (see page 27)	416,-	416,-	416,-	416,-	416,-	416,-
Joint bearing for an optimum bottom conformity (Three-point linkage, front mounting)	126,-	126,-	126,-	126,-	126,-	126,-
A-frame CAT Communal / 0 / I, incl. pivoting part with pendulum adaptor and screw-lip (see page 26)	750,-	750,-	750,-	750,-	750,-	750,-
Yard loader attachment / front-loader plate incl. pivoting part with parallelogram, pendulum compensation, incl. height indicator	949,-	949,-	949,-	949,-	949,-	949,-
Wheel-/telescopic loader attachment (quick-hitch) 3-D floating system w/roller guide, pendulum compensation and height indicator (shows mid-position in levelling) (see page 28)	1.568,-	1.568,-	1.568,-	1.568,-	1.568,-	1.568,-
Fork-tines system, 150 x 60 mm pivoting part with parallelogram and height indicator; incl. quick-locking device	866,-	866,-	866,-	866,-	866,-	866,-
Fork-tines system, 150 x 60 mm 3-D floating system incl. roller floating tunnel, pendulum compensation and height indicator (shows mid-position in levelling); incl. quick-locking device	1.426,-	1.426,-	1.426,-	1.426,-	1.426,-	1.426,-
Extra charge for bigger fork-tines (200 x 100 mm)	177,-	177,-	177,-	177,-	177,-	177,-
Attachment system for municipal utility vehicles (Multicar, ...), pivoting part with pendulum adaptor and screw-lip, incl. side levelling	1.425,-	1.425,-	1.425,-	1.425,-	1.425,-	1.425,-
Attachment plate with lifting system incl. reinforced pivoting part, lifting part with pressure limit, levelling, pendulum compensation and transport securing appropriate for Unimog front-attachment plate DIN 76060: • shape B (size 3) incl. fastening via pivoting screws M30 or clamping screws M24 • shape A (size 5) incl. fastening via pivoting screws M30	-----	-----	-----	2.813,-	2.813,-	2.813,-
Side levelling (not necessary for wheel-/telescopic loader attachment)	212,-	212,-	212,-	212,-	212,-	212,-

1382 Dirt collection equipment

Large hopper with PU-lip (polyurethane) and hydraulic emptying , incl. mechanical shut-off cock for simple sweeping (no dismounting of hopper required), 1 double-acting hydraulic-drive circuit required	1.205,-	1.227,-	1.251,-	1.276,-	1.298,-	1.336,-
High-fill flap inside the hopper, fill capacity approx. +30 %	74,-	74,-	105,-	105,-	105,-	173,-

1382 Options

3rd support wheel (for front mounting, only), Ø 250 x 50 mm (required for all attachment systems with parallelogram and roller floating tunnel) • short version for sweeper without hopper available (same price)	372,-	372,-	372,-	372,-	372,-	372,-
Oil flow controller incl. pressure control (160 bar) valve for an infinitely variable speed adjustment • 90 - 129 liters for vehicles with pump capacity of more than 90 l/min. • 130 liter with 1" connectors; for vehicles with pump capacity of more than 130 l/min.	649,- 1.066,-	649,- 1.066,-	649,- 1.066,-	649,- 1.066,-	649,- 1.066,-	649,- 1.066,-
Hydraulic angling (one additional double-acting hydraulic drive circuit required)	451,-	451,-	451,-	451,-	451,-	451,-
Electro-magnetic commutator (EM) 12/24 V (on each hydraulicfunction) for vehicles with only one double-acting hydraulic drive circuit	716,-	716,-	716,-	716,-	716,-	716,-
Water-spray system 12/24 V, intermitting pump and switch board, side brush (if ordered), will also be equipped w/water-spray device • 100 l tank • 200 l tank • without tank	1.236,- ----- 818,-	1.236,- 1.427,- 818,-	1.236,- 1.427,- 818,-	1.236,- 1.427,- 818,-	1.236,- 1.427,- 818,-	1.236,- 1.427,- 818,-
Side brush ø 600 mm, brush 100% PP incl. spring segment, speed adjustment, shut-off cock and snap closing - can be coupled with hydraulic emptying and / or hydraulic drive - only possible in combination with hopper	1.076,-	1.076,-	1.076,-	1.076,-	1.076,-	1.076,-
Brush comb for easy cleaning of dirt the brush (pin length 3,5 cm)	288,-	298,-	318,-	333,-	444,-	480,-
Extra strong wheels ø 250 x 80 mm, for hard working conditions and uneven surfaces, (recommended for a working width from 260 cm)	135,-/pc.	135,-/pc.	135,-/pc.	135,-/pc.	135,-/pc.	135,-/pc.
Side-marker lamps (LED); prescribed to drive on public roads (price for 2 pcs.)	278,-	278,-	278,-	278,-	278,-	278,-
Signal flag holders and Signal flags (price for 2 pcs.)	98,-	98,-	98,-	98,-	98,-	98,-
Colour option acc. to RAL (RAL 2004 = standard)	246,-	246,-	246,-	246,-	246,-	246,-

Packaging + Freight (net)	155,-	165,-	185,-	205,-	230,-	270,-
----------------------------------	-------	-------	-------	-------	-------	-------



1552 PROFI 660 road sweeper (hydraulic)

WORKING WIDTH IN ANGLED POSITION	200 cm 188 cm	230 cm 216 cm	260 cm 244 cm	280 cm 260 cm
Basic machine incl.: stable chassis with mounting device, power is provided by an internal hydraulic motor (standard); Hydro-Block incl. pressure control (160 bar) and overrun control in the return integrated drain line; brush ø 660 mm, 100 % PP WaveLine mixture with CrownLock system, extra thick brush with high durability, simple brush adjustment via adjusting lever optimizing the sweeping angle, mechanical angling, brand-named support wheels ø 250 x 60 mm	4.574,-	4.715,-	5.538,-	6.696,-
Splash guard for simple sweeping application, extra long (380 mm) incl. splash protection flap	274,-	284,-	296,-	313,-
Brush ø 660 mm, 100 % PP brush rings in honey-comb shape	no extra charge	----	----	----
Brush ø 660 mm, 50 % PP / 50 % wire brush rings	163,-	173,-	183,-	195,-
Brush ø 660 mm, 100 % Snowline brush rings in honey-comb shape, for the winter service	82,-	92,-	103,-	114,-

1552 Attachment systems

Wheel loader / telehandler quick hitch system , 3-D floating system w/roller guide, pendulum adapter and height indicator (shows mid-position in levelling) <i>(see page 28)</i>	1.778,-	1.778,-	1.778,-	1.778,-
Fork-tines attachment 150 x 60 mm 3-D floating system w/roller guide, pendulum adapter and height indicator (shows mid-position in levelling), incl. quick-locking device	1.715,-	1.715,-	1.715,-	1.715,-
Surcharge for bigger fork-tines (200 x 100 mm)	177,-	177,-	177,-	177,-
Three-point linkage CAT I / II, 3-D floating system w/roller guide, pendulum adapter and height indicator (shows mid-position in levelling) <i>(see page 27)</i>	1.543,-	1.543,-	1.543,-	1.543,-
A-frame CAT I, 3-D floating system w/roller guide, pendulum adapter and height indicator (shows mid-position in levelling) <i>(see page 26)</i>	1.413,-	1.413,-	1.413,-	1.413,-
Combined attachment system (different combinations possible)	on request			
Attachment plate incl. reinforced pivoting part, hydraulic cylinder w/pressure limit, levelling and pendulum compensation, transport securing, appropriate for Unimog front-attachment plate DIN 76060: <ul style="list-style-type: none"> • shape B (size 3) incl. fastening via pivoting screws M30 or clamping screws M24 • shape A (size 5) incl. fastening via pivoting screws M30 	2.882,-	2.882,-	2.882,-	2.882,-

1552 Dirt collection equipment

Large hopper incl. PU-lip, hydraulic emptying with shut-off cock (mechanical), for simple sweeping (no dismantling of the dirt collector required), high-fill flap inside the collector (approx. + 30% more fill-capacity), integrated 3rd support wheel (Ø 250 x 60 mm) ensures a regular bottom guidance & the dirt collector is constantly kept at an equal height	1.495,-	1.536,-	1.601,-	1.629,-
--	---------	---------	---------	---------

1552 Options

Oil flow controller incl. pressure control (160 bar) valve for an infinitely variable speed adjustment <ul style="list-style-type: none"> • 90 - 129 liters, for vehicles with pump capacity of more than 90 l/min • 130 liters with 1" connectors; for vehicles with pump capacity of more than 130 l/min; for extra big wheel- and telescopic loaders / tractors 	649,- 1.066,-	649,- 1.066,-	649,- 1.066,-	649,- 1.066,-
Hydraulic angling (one additional double-acting hydraulic drive circuit required)	451,-	451,-	451,-	451,-
Electro-magnetic commutator (EM) 12/24 V (on each hydraulicfunction) for vehicles with only one double-acting hydraulic drive circuit	716,-	716,-	716,-	716,-
Water-spray system 12/24 V with intermitting-pump and switch board, side brush (if ordered) also with spraying device <ul style="list-style-type: none"> • 200 l tank • without tank 	1.427,- 818,-	1.427,- 818,-	1.427,- 818,-	1.427,- 818,-
Side brush ø 600 mm, brush 50% PP / 50% flat steel (further material combinations on enquiry) incl. spring element, speed regulation, shut-off cock and snap closing, - can be coupled with hydraulic emptying and / or hydraulic drive - only possible in combination with hopper	1.202,-	1.202,-	1.202,-	1.202,-
Surcharge: Side brush with hydraulic lowering (one additional double-acting hydraulic drive circuit required or EM commutator)	484,-	484,-	484,-	484,-
Brush comb for easy cleaning of dirt the brush (pin length 3,5 cm)	333,-	444,-	480,-	525,-
Scraping device , straight shape, hydraulic operation (2 hydraulic cylinders), for simple sweeping or with hopper, optimum adaptation to the ground by spring-borne shares, shares can be adjusted and be used both-ways - not possible in combination with a side brush	2.500,-	2.908,-	3.264,-	3.520,-
3rd support wheel ø 250 x 60 mm, only for simple sweeping	564,-	564,-	564,-	564,-
Extra strong wheels ø 250 x 80 mm, for hard work and for very uneven ground	135,-/pc.	135,-/pc.	135,-/pc.	135,-/pc.
Heavy-duty guide rollers (CSE tyres) Ø 306 x 116 mm	347,-/pc.	347,-/pc.	347,-/pc.	347,-/pc.
Side-marker lamps (LED); prescribed to drive on public roads (road traffic act)	(price for 2 pcs.) 278,-	278,-	278,-	278,-
Signal flag holders and signal flags	(price for 2 pcs.) 98,-	98,-	98,-	98,-
Colour option acc. to RAL (RAL 2004 = standard)	246,-	246,-	246,-	246,-

Packaging + Freight (net)	265,-	285,-	335,-	385,-
----------------------------------	-------	-------	-------	-------



1561 PROFI CHAMP road sweeper (hydraulic)

	210 cm 195 cm	240 cm 225 cm	280 cm 255 cm
WORKING WIDTH IN ANGLED POSITION			
Basic machine incl.: stable basic frame incl. mounting device, hydraulic drive with a strong internal hydraulic motor (standard), Hydro-Block incl. pressure control (160 bar) and overrun control, in the return integrated drain line; brush diameter ø 750 mm, 100 % PP WaveLine brush with Crown Lock system, particular dense brush of great durability and very suitable for coarse dirt; simple brush adjustment via adjusting lever with an optimized sweeping angle, mechanical angling; brand-named wheels ø 405 x 110 mm	6.152,-	7.116,-	7.246,-
Splash guard for simple sweeping application, extra long (500 mm) incl. splash protection flap	296,-	305,-	313,-
Brush ø 750 mm, 50 % PP / 50% wire brush rings	184,-	199,-	215,-
Brush ø 750 mm, 100 % Snowline brush rings, in honey-comb shape, for winter service	91,-	104,-	119,-

1561 Attachment systems

Wheel loader / telehandler attachment (quick-hitch system) 3-D floating system with roller guide, pendulum adapter and height indicator (shows mid-position in levelling) (see page 28)	1.941,-	1.941,-	1.941,-
Fork-tines 150 x 60 mm 3-D floating system w/roller guide, pendulum adapter and height indicator (shows mid-position in levelling), incl. quick-locking device	2.445,-	2.445,-	2.445,-
Surcharge for bigger fork-tines (200 x 100 mm)	177,-	177,-	177,-
Three-point linkage CAT I / II, 3-D floating system w/roller guide, pendulum adapter and height indicator (shows mid-position in levelling) (see page 27)	1.914,-	1.914,-	1.914,-
Three-point linkage CAT I / II (rear) rigid attachment, mounted on a slewing ring (see page 27)	1.572,-	1.572,-	1.572,-
A-frame CAT I, 3-D floating system w/roller guide, pendulum adapter and height indicator (shows mid-position in levelling) (see page 26)	1.914,-	1.914,-	1.914,-
Attachment plate incl. lifting system w/reinforced frame, hydraulic cylinder w/pressure limit, levelling and pendulum compensation, transport securing, appropriate for Unimog front-attachment plate DIN 76060: <ul style="list-style-type: none"> • shape B (size 3) incl. fastening via pivoting screws M30 or clamping screws M24 • shape A (size 5) incl. fastening via pivoting screws M30 	3.034,-	3.034,-	3.034,-

1561 Dirt collection equipment

Large hopper incl. PU-lip (polyurethane), hydraulic emptying with mechanical shut-off cock for simple sweeping (no dismantling of hopper required), high-fill flap inside the hopper for approx. +30% fill capacity; integrated 3rd support wheel ø 405 x 110 mm, to ensure a regular bottom guidance; hopper is constantly kept at an equal height	1.884,-	1.921,-	1.974,-
Rear three-point linkage:			
Hopper , without 3rd support wheel (3rd support wheel see below --for change to front mounting-- 677,- Euro)	—	1.225,-	1.287,-

1561 Options

Oil flow controller incl. pressure control (160 bar) valve for an infinitely variable speed adjustment <ul style="list-style-type: none"> • 90 - 129 liters, for vehicles with pump capacity of more than 90 l/min • 130 liter with 1" connectors; for vehicles with pump capacity of more than 130 l/min; (big wheel-/telescopic loaders/tractors) 	649,- 1.066,-	649,- 1.066,-	649,- 1.066,-
Hydraulic angling (1 additional double-acting hydraulic drive circuit required or EM commutator)	451,-	451,-	451,-
Electro-magnetic commutator (EM) 12/24 V (on each hydraulicfunction) for vehicles with only one double-acting hydraulic drive circuit	716,-	716,-	716,-
Water-spray system incl. 12/24 V pump w/intermission function and protection against dry run and switch board; side brush (if ordered) will also be equipped w/water-spray device <ul style="list-style-type: none"> • 200 l tank • 400 l tank • without tank 	1.427,- 2.349,- 818,-	1.427,- 2.349,- 818,-	1.427,- 2.349,- 818,-
Side brush ø 750 mm, brush 50% PP / 50% flat steel , incl. spring segment, speed adjustment, shut-off cock and quick-locking system <ul style="list-style-type: none"> - can be coupled with hydraulic emptying and / or hydraulic drive - only possible for simple sweeping 	1.293,-	1.293,-	1.293,-
Surcharge: Side brush with hydraulic lowering (one additional double-acting hydraulic drive circuit required EM commutator)	484,-	484,-	484,-
Brush comb for easy cleaning of dirt the brush (pin length 3,5 cm)	394,-	465,-	525,-
Extra strong wheels ø 410 x 145 mm, for hard work and for very uneven ground	524,-/pc.	524,-/pc.	524,-/pc.
Scraping device , hydraulic operation (2 hydraulic cylinders), height adjustment by spindles, for simple sweeping and sweeping with hopper, optimum bottom guidance by spring-borne shares, shares can be adjusted and be used both-way, dirt is led to the road sweeper - not possible in combination with a side brush	—	4.069,-	4.378,-
3rd support wheel ø 405 x 110 mm (for simple sweeping and rear three-point attachment)	698,-	698,-	698,-
Side-marker lamps (LED); for the public road traffic (price for 2 pcs.)	278,-	278,-	278,-
Signal flag holders and signal flags (price for 2 pcs.)	98,-	98,-	98,-
Colour option acc. to RAL (RAL 2004 = standard)	400,-	400,-	400,-

Packaging + Freight (net)	305,-	365,-	425,-
----------------------------------	-------	-------	-------



1581 PROFI GIGANT road sweeper (hydraulic)

	260 cm	290 cm	320 cm	350 cm
WORKING WIDTH IN ANGLED POSITION	236 cm	263 cm	290 cm	317 cm
Basic machine incl.: 3-D levelling (swivelling part incl. levelling and roller floating tunnel), simple brush adjustment via adjusting-lever, 2 internal motors (incl. oil-flow controller > 90 liters, 1" hydraulic connectors), broom with overrun control, splash guard, brush ø 800 mm, 100 % PP-Beeline brush rings in honey-comb shape, particular dense brush of great durability and very suitable for coarse dirt; brand-named wheels ø 410 x 145 mm	11.284,-	12.184,-	13.429,-	14.676,-
Brush ø 800 mm, 50 % PP / 50 % wire brush rings	269,-	300,-	340,-	382,-

Attachment systems

9018 Wheel loader-/ telehandler attachment (quick-hitch) incl. levelling and height indicator (shows mid-position in levelling) (see page 28)	2.448,-	2.448,-	2.448,-	2.448,-
9018 Three-point linkage CAT I / II incl. levelling and height indicator (shows mid-position in levelling); (see page 27)	1.971,-	1.971,-	1.971,-	1.971,-

1581 Dirt collection equipment

Large hopper incl. PU-lip (polyurethane), high-fill flap inside the hopper, approx. +30 % fill-capacity, hydraulic emptying via 2 cylinders with mechanical shut-off cock for simple sweeping (no dismounting of the hopper required), incl. 3rd and 4th support wheel ø 410 x 145 mm, ensures a regular pressure downwards (hopper is constantly kept at an equal height)	4.063,-	4.535,-	5.003,-	5.472,-
--	---------	---------	---------	---------

1581 Options

Hydraulic angling via 2 cylinders (one additional double-acting hydraulic drive circuit required)	1.378,-	1.378,-	1.378,-	1.378,-
Electro-magnetic commutator (EM) 12/24 V, (on each hydraulicfunction) for vehicles with only one double-acting hydraulic drive circuit	716,-	716,-	716,-	716,-
Water-spray system incl. 2 x 12/24 V intermitting-pumps and 2 x 200 l tanks, switch board, spray-lip in the rear (Side brush, if ordered, will be with water kit, too)	2.349,-	2.349,-	2.349,-	2.349,-
Side brush ø 850 mm, brush 50 % PP / 50 % wire, incl. spring segment, speed adjustment and shut-off device - can be coupled with hydraulic emptying and / or hydraulic drive - only possible in combination with the hopper	2.256,-	2.256,-	2.256,-	2.256,-
Surcharge: Side brush with hydraulic lowering (1 additional double-acting hydraulic drive circuit required or EM commutator)	484,-	484,-	484,-	484,-
3rd and 4th support wheel for simple sweeping application without hopper, only brand-named wheels ø 410 x 145 mm	1.951,-	1.951,-	1.951,-	1.951,-
Side-marker lamps (LED); prescribed to drive on public roads (price for 2 pcs.)	278,-	278,-	278,-	278,-
Signal flag holders and signal flags (price for 2 pcs.)	98,-	98,-	98,-	98,-
Colour option acc. to RAL (RAL 2004 = standard)	473,-	473,-	473,-	473,-

Packaging + Freight (net)	475,-	495,-	515,-	535,-
----------------------------------	-------	-------	-------	-------



1781 BIG road sweeper (hydraulic)

	120 cm	150 cm	180 cm	210 cm
Bucket sweeper incl.: compact / wheel loader hitch (quick-hitch system); incl. large bucket to collect dirt, wear & tear lip / knives tightly welded onto the bucket (increases the longevity of the bucket), strong internal hydraulic motor incl. overpressure protection, brush has an optimum pressure downwards by its specific weight, simple brush adjustment, brush ø 600 mm, 100 % PP-Beeline brush rings in honey-comb shape, very bushy long-life brush, excellent for coarse dirt	4.168,-	4.590,-	4.982,-	6.167,-
Angle (approx. 25 degrees) to optimise the tilting-angle (allows high dumping), firm welding between bucket and quick-hitch system	275,-	275,-	275,-	275,-
Strengthening package for continuous operation: <ul style="list-style-type: none"> • wear & tear lip, made of armour steel • screw-under knives (bottom & side) made of armour steel 500 HB; lasts twice as long, simply by turning 	455,-	494,-	542,-	667,-
Brush ø 600 mm, 50 % PP / 50 % wire brush rings	125,-	125,-	156,-	156,-

1781 Options

Hopper opening by 2 hydraulic cylinders (additional double-acting hydraulic drive circuit required) <i>(only possible for initial equipment)</i>	1.232,-	1.232,-	1.232,-	1.232,-
Water-spray system with hopper opening by 2 hydraulic cylinders incl. water tank, 12 V intermitting pump and switch board <ul style="list-style-type: none"> • 100 liter tank • 200 liter tank 	—	1.236,-	1.236,-	1.236,-
Electro-magnetic commutator (EM) 12/24 V (on each hydraulicfunction) for vehicles with only one double-acting hydraulic drive circuit	716,-	716,-	716,-	716,-
Water-spray system incl. water tank, 12 V intermitting-pump and switch board <ul style="list-style-type: none"> • 100 liters • 200 liters 	1.236,-	1.236,-	1.236,-	1.236,-
Water-spray system for side brush	86,-	86,-	86,-	86,-
Side brush ø 600 mm, mixed brush 50 % PP / 50 % wire , incl. spring segment <i>- can be coupled with hydraulic emptying and / or hydraulic drive</i>	1.343,-	1.343,-	1.343,-	1.343,-
Colour option acc. to RAL (RAL 2004 = standard)	246,-	246,-	246,-	246,-

Packaging + Freight (net)	210,-	235,-	255,-	280,-
----------------------------------	-------	-------	-------	-------



1821 IDEAL 650 road sweeper (hydraulic)

	130 cm	150 cm	180 cm	210 cm
Basic machine incl.: strong internal hydraulic motor/w double pressure limit valve, pendulating main brush incl. pressure adjustment downwards, large hopper with hydraulic emptying, PU-lip (polyurethane), dust protection covering, 3rd support wheel, brush Ø 650 mm, 100 % PP mixture for fine and coarse dirt, brand-named wheels Ø 250 x 60 mm	5.155,-	5.572,-	5.988,-	6.184,-

Attachment systems

9005 Fork-tines system 150 x 70 mm , incl. 3-D levelling and quick-locking system	990,-	990,-	990,-	990,-
9005 Extra charge for bigger fork-tines (210 x 110 mm)	208,-	208,-	208,-	208,-
9012 Combined fork-tines / wheel loader attachment (quick-hitch) incl. 3-D levelling	1.506,-	1.506,-	1.506,-	1.506,-
9029 Combined three-point linkage / fork-tines attachment	1.506,-	1.506,-	1.506,-	1.506,-

1821 Options

Water-spray system 12/24 V switch board and intermitting-pump, side brush (if ordered) equipped with water-spray device, too				
• 100 l tank	1.236,-	1.236,-	1.236,-	1.236,-
• 200 l tank	1.427,-	1.427,-	1.427,-	1.427,-
Side brush ø 750 mm, brush 100 % PP , with shut-off cock <i>- can be coupled with hydraulic emptying and / or hydraulic drive</i>	1.357,-	1.357,-	1.357,-	1.357,-
Extra strong wheels ø 250 x 80 mm, for hard working conditions and uneven surfaces	135,-/pc.	135,-/pc.	135,-/pc.	135,-/pc.
Side-marker lamps (LED); prescribed to drive on public roads (price for 2 pcs.)	278,-	278,-	278,-	278,-
Oil flow controller incl. pressure control valve for an infinitely variable speed adjustment >90 liters, for vehicles with pump capacity of more than 90 l/min	649,-	649,-	649,-	649,-
Colour option acc. to RAL (RAL 2004 = standard)	246,-	246,-	246,-	246,-

Special options

9030 Separate and independent hydraulic system incl. oil tank (Makes the sweeper independent from the carrier-vehicle. Oil mixture is eliminated, in case that various carrier-vehicles are used.)				
• 13 HP Honda GX 390 gasoline engine (Please enquire delivery time)	4.419,-	4.419,-	4.419,-	—
• 10 HP Yanmar diesel engine	5.888,-	5.888,-	5.888,-	—

Packaging + Freight (net)	210,-	245,-	265,-	285,-
----------------------------------	-------	-------	-------	-------

+19% from
20/04/2022



1101 Solo push-broom

	150 cm	190 cm	230 cm	280 cm
Basic machine incl.:				
11-row broom, stable basic frame, fork-tines attachment 130 x 70 mm, safety chain, 3 parking stands	1.547,-	1.885,-	2.204,-	2.609,-

1101 Attachment systems

Three-point linkage CAT I / II, A-frame CAT I (<i>see page 26/27</i>) or hitch system for buckets	430,-	430,-	430,-	430,-
Yard-loader / Front loader attachment system (up to 0,4 m ³ bucket capacity)	923,-	923,-	923,-	923,-
Extra charge for bigger fork-tine pockets , screwed (200 x 100)	177,-	177,-	177,-	177,-

1101 Options

Colour option acc. to RAL (RAL 2004 = standard)	246,-	246,-	246,-	246,-
Packaging + Freight (net)	110,-	130,-	150,-	170,-



1911 Weed brush WB 750 for wheel loaders, communal vehicles, tractors, yard loaders

Basic machine incl.:

Mechanical inclination adjustment (upper link), mechanical lateral displacement (plug-in by bolt), rubber protection cloth, parking stand, Danfoss OMS Hydr. motor,

Brush ø 750 mm, **Flat wire bunches**

2.993,-

Brush ø 750 mm, **Rope wire bunches**, plastic covered, screwable, 22 pcs.
(Please note: For the retrofitting to rope wire bunches, another type of brush plate is required.)

(surcharge)

359,-

Brush ø 750 mm, **Rope wire bunches**, plastic covered, screwable, 22 pcs. incl. brush plate, for quick change

518,-

1911 Attachment systems

Three-point linkage CAT I / II (see page 27)

418,-

Attachment system for municipal utility vehicles (Multicar, ...)

418,-

A-frame CAT Communal / 0 / 1 (see page 26)

312,-

Wheel- / Yard loader attachment (quick-hitch)

493,-

Fork-tines system, 150 x 60 mm

604,-

1911 Optional equipment

Guide wheel / support wheel (hight-adjustable): with castor 200 x 50 mm (< 0,4 m³ bucket capacity)
with castor 250 x 80 mm (> 0,4 m³ bucket capacity)

291,-
389,-

Speed regulation for setting of speed

153,-

Hydr. inclination adjustment of the brush (1 additional double-acting control circuit necessary)

431,-

Hydr. lateral displacement, stroke length 450 mm (1 additional double-acting control circuit necessary)

515,-

Electro-magnetic switching 12 V, (6/2-way or 8/3-way control valve)
for vehicles with only one or with two double-acting hydraulic control circuits

716,-

Water-spray system 12 V intermitting pump, switch board, 100 l water tank and
• rear 3-point linkage (CAT I / II) for the tank , 1 x spray nozzle or
• mounting on Hydro Drive, 1 x spray nozzle

1.559,-

Colour option acc. to RAL (RAL 2004 = standard)

246,-

IMPORTANT When ordering, please specify: The vehicle's quantity of hydraulic circuits and hydraulic power (l/min.)

1901 Weed brush WB 750 for excavators up to 6 t

Basic machine incl.:

Mechanical inclination adjustment (upper link), rubber protection cloth, Danfoss OMS Hydr. motor,
Brush ø 750 mm, **Flat wire bunches**

2.615,-

Brush ø 750 mm, **Rope wire bunches**, plastic covered, screwable, 22 pcs.
(Please note: For the retrofitting to rope wire bunches, another type of brush plate is required.)

(surcharge)

359,-

1901 Attachment systems

Quick-hitch for mini excavators (MS 01 / MS 03, other attachment systems on request available)

186,-

1901 Optional equipment

Colour option acc. to RAL (RAL 2004 = standard)

246,-

1941 Hydro Drive for vehicles without sufficient oil capacity

Basic machine incl.:

Oil tank with approx. 55 litres volume and oil sight glass for easy oil level check; oil filter for a good and lasting oil quality;
internal hydraulic pump, drive via PTO shaft, PTO speed: 540 rpm, approx. 32 l/min at 130 bar -
1000 rpm, approx. 60 l/min at 130 bar -

Three-point linkage CAT I with screw bar (see page 27) other attachment systems on request

2.066,-

Packaging + Freight (net)

145,-



1192 L-SK snow blade

	125 cm	155 cm	185 cm
WORKING WIDTH IN ANGLED POSITION	107 cm	133 cm	160 cm
Standard equipment incl.: Spring flap segments with PU-lip (polyurethane), mechanical angling, side interceptors right/left, height adjustable skids, blade height 50 cm	1.078,-	1.216,-	1.353,-

1192 Attachment systems

A-frame CAT Communal / 0 (see page 26) incl. pivoting part with screw-lip • and levelling	522,- 724,-	522,- 724,-	522,- 724,-
Three-point linkage CAT I / II (see page 27) incl. pivoting part with screw-lip • and levelling	658,- 860,-	658,- 860,-	658,- 860,-
Fork-tines attachment, 150 x 50 mm incl. pivoting part with screw-lip • and levelling	657,- 859,-	657,- 859,-	657,- 859,-
Attachment system for Tichel-Trac TRIO incl. pivoting part with screw-lip • and levelling	522,- 724,-	522,- 724,-	522,- 724,-
Yard loader attachment incl. pivoting part with levelling and pendulum compensation	882,-	882,-	882,-

1192 Options

Hydraulic angling (one double-acting hydraulic drive circuit required)	387,-	387,-	387,-
Wheels ø 150 x 50 mm (instead of skids)	(price for 2 pcs.) 194,-	194,-	194,-
Side-marker lamps (LED), prescribed to drive on public roads	(price for 2 pcs.) 278,-	278,-	278,-
Signal flag holders	(price for 2 pcs.) 65,-	65,-	65,-
Signal flags	(price for 2 pcs.) 33,-	33,-	33,-
Colour option acc. to RAL (RAL 2004 = standard)	246,-	246,-	246,-
Packaging + Freight (net)	105,-	135,-	155,-



1342 SK-K snow blade

	150 cm	180 cm	200 cm	225 cm
WORKING WIDTH IN ANGLED POSITION	132 cm	159 cm	176 cm	198 cm
Standard equipment incl.: stable frame incl. folding mechanism (to protect the blade against damage in case of barricades), PU-lip (polyurethane), mechanical angling, side interceptors right and left, height adjustable wheels ø 200 x 50 mm, blade height 70 cm	1.695,-	1.938,-	2.059,-	2.350,-
Steel lip , blade height 70 cm (surcharge)	370,-	417,-	471,-	520,-

1342 Attachment systems

Three-point linkage CAT I / II (see page 27); incl. pivoting part with screw-lip and levelling	884,-	884,-	884,-	884,-
A-frame CAT Communal / 0 (see page 26); incl. pivoting part with screw-lip and levelling	847,-	847,-	847,-	847,-
A-frame CAT I (see page 26); incl. pivoting part with screw-lip and levelling	884,-	884,-	884,-	884,-
Fork-tines attachment 150 x 50 mm ; incl. pivoting part with screw-lip and levelling	1.159,-	1.159,-	1.159,-	1.159,-
Yard loader attachment / quick-hitch incl. pivoting part with levelling (small roller-floating system) for small wheel loaders , only (up to 0,8 m³ bucket capacity)	1.298,-	1.298,-	1.298,-	1.298,-
Attachment plate for public utility vehicles incl. pivoting part and levelling (Kommobil / Multicar / ... Lifting-system on vehicle side required)	1.015,-	1.015,-	1.015,-	1.015,-

1342 Options

Hydraulic angling (one double-acting hydraulic drive circuit required)	529,-	529,-	529,-	529,-
Hydraulic angling with pressure control valve (one double-acting hydraulic drive circuit required)	710,-	710,-	710,-	710,-
Extra strong wheels ø 200 x 50 mm, steel-welded (price for 2 pcs.)	222,-	222,-	222,-	222,-
Side-marker lamps (LED), prescribed to drive on public roads (price for 2 pcs.)	278,-	278,-	278,-	278,-
Signal flag holders (price for 2 pcs.)	65,-	65,-	65,-	65,-
Signal flags (price for 2 pcs.)	33,-	33,-	33,-	33,-
Colour option acc. to RAL (RAL 2004 = standard)	246,-	246,-	246,-	246,-

Packaging + Freight (net)	160,-	170,-	190,-	210,-
----------------------------------	-------	-------	-------	-------



1342 SK-F snow blade

	150 cm	180 cm	200 cm	225 cm
WORKING WIDTH IN ANGLED POSITION	132 cm	154 cm	176 cm	198 cm
Standard equipment incl.: Stable frame incl. spring flap segments, mechanical angling, side interceptors right and left, infinitely height adjustable wheels ø 200 x 50 mm				
• PU-lip (polyurethane), blade height 70 cm	1.607,-	1.773,-	1.953,-	2.297,-
• communal lip (highly wear resistant rubber lip with corundum inlay), blade height 75 cm	2.140,-	2.391,-	2.664,-	3.093,-
Steel lip , blade height 70 cm (surcharge, goes on top of basic price for PU-lip)	370,-	417,-	471,-	520,-

1342 Attachment systems

Three-point linkage CAT I / II (see page 27); incl. pivoting part with screw-lip and levelling	884,-	884,-	884,-	884,-
A-frame CAT Communal / 0 (see page 26); incl. pivoting part with screw-lip and levelling	847,-	847,-	847,-	847,-
A-frame CAT I (see page 26); incl. pivoting part with screw-lip and levelling	884,-	884,-	884,-	884,-
Fork-tines attachment 150 x 50 mm ; incl. pivoting part with screw-lip and levelling	1.159,-	1.159,-	1.159,-	1.159,-
Yard loader attachment / quick-hitch incl. pivoting part and levelling (small roller-floating system) for small wheel loaders , only (up to 0,8 m³ bucket capacity)	1.298,-	1.298,-	1.298,-	1.298,-
Attachment plate for public utility vehicles (Kommobil / Multicar / ... Lifting-system on vehicle side required)	1.015,-	1.015,-	1.015,-	1.015,-

1342 Options

Hydraulic angling (one double-acting hydraulic drive circuit required)	529,-	529,-	529,-	529,-
Hydraulic angling with pressure control valve (one double-acting hydraulic drive circuit required)	710,-	710,-	710,-	710,-
Extra strong wheels ø 200 x 50 mm, steel-welded (price for 2 pcs.)	222,-	222,-	222,-	222,-
Side-marker lamps (LED), prescribed to drive on public roads (price for 2 pcs.)	278,-	278,-	278,-	278,-
Signal flag holders (price for 2 pcs.)	65,-	65,-	65,-	65,-
Signal flags (price for 2 pcs.)	33,-	33,-	33,-	33,-
Colour option acc. to RAL (RAL 2004 = standard)	246,-	246,-	246,-	246,-

Packaging + Freight (net)	160,-	170,-	190,-	210,-
----------------------------------	-------	-------	-------	-------



1371 L-SF snow blade

	200 cm	225 cm	250 cm	275 cm	300 cm
WORKING WIDTH IN ANGLED POSITION	173 cm	194 cm	215 cm	237 cm	258 cm
Basic equipment incl.: Stable frame, incl. spring flap segments, mechanical angling, side interceptors right and left, infinitely height adjustable wheels ø 200 x 80 mm					
• PU-lip (polyurethane), blade height 82 cm	2.651,-	2.781,-	2.954,-	3.151,-	3.475,-
• communal lip (highly wear resistant rubber lip with corundum inlay), blade height 87 cm	3.363,-	3.463,-	3.846,-	4.123,-	4.545,-
Steel lip , blade height 82 cm (surcharge, goes on top of basic price for PU-lip)	471,-	520,-	571,-	632,-	687,-

1371 Attachment systems

Wheel loader- / telescopic loader attachment system (quick-hitch) incl. pivoting part with roller-floating tunnel (2-D levelling) and height indicator (shows mid-position in roller-floating tunnel)	1.656,-	1.656,-	1.656,-	1.656,-	1.656,-
Attachment plate incl. lifting system incl. pivoting part, lifting cylinder with pressure limit valve (double-acting control valve required), levelling and pendulum compensation for an optimum bottom guidance and transport securing, suitable for Unimog front loader plate DIN 76060: <ul style="list-style-type: none"> • shape B (size 3) incl. fastening via pivoting screws M30 or clamping screws M24 • shape A (size 5) incl. fastening via pivoting screws M30 	2.568,-	2.568,-	2.568,-	2.568,-	2.568,-
Three-point linkage CAT I / II (see page 27) incl. pivoting part <ul style="list-style-type: none"> • incl. screw-lip for rigid attachment • incl. levelling • incl. roller-floating tunnel (2-D levelling) and height indicator 	1.092,- 1.756,- 1.547,-	1.092,- 1.756,- 1.547,-	1.092,- 1.756,- 1.547,-	1.092,- 1.756,- 1.547,-	1.092,- 1.756,- 1.547,-
A-frame CAT I (see page 26) incl. pivoting part <ul style="list-style-type: none"> • incl. screw-lip for rigid attachment • incl. levelling • incl. roller-floating tunnel (2-D levelling) and height indicator 	1.017,- 1.681,- 1.483,-	1.017,- 1.681,- 1.483,-	1.017,- 1.681,- 1.483,-	1.017,- 1.681,- 1.483,-	1.017,- 1.681,- 1.483,-
Fork-tines attachment 150 x 50 mm; incl. pivoting part with screw-lip for rigid attachment <ul style="list-style-type: none"> • incl. levelling 	1.025,- 1.689,-	1.025,- 1.689,-	1.025,- 1.689,-	1.025,- 1.689,-	1.025,- 1.689,-
Surcharge for bigger fork-tines (200 x 100 mm)	177,-	177,-	177,-	177,-	177,-

1371 Options

Hydraulic angling , incl. two hydraulic cylinders (one double-acting hydraulic drive circuit required)	779,-	779,-	779,-	779,-	779,-
Hydraulic angling incl. pressure control valve recommended for a working width from 250 cm, (one double-acting hydraulic drive circuit required)	993,-	993,-	993,-	993,-	993,-
Pressure retention valve (often at a Merlo; is required in addition to the hydraulic angling, if there is no pressure retention valve in the hydraulic system of the vehicle) (surcharge)	295,-	295,-	295,-	295,-	295,-
Extra strong wheels ø 250 x 80 mm (price for 2 pcs.)	270,-	270,-	270,-	270,-	270,-
Snow guide cloth (for a good visibility for the driver)	470,-	485,-	499,-	515,-	533,-
Side-marker lamps; (LED), prescribed to drive on public roads (price for 2 pcs.)	278,-	278,-	278,-	278,-	278,-
Signal flag holders (price for 2 pcs.)	65,-	65,-	65,-	65,-	65,-
Signal flags (price for 2 pcs.)	33,-	33,-	33,-	33,-	33,-
Colour option acc. to RAL (RAL 2004 = standard)	246,-	246,-	246,-	246,-	246,-
Packaging + Freight (net)	210,-	235,-	260,-	285,-	305,-



1332 SF snow blade

	250 cm	275 cm	300 cm	325 cm	350 cm
WORKING WIDTH IN ANGLED POSITION	215 cm	237 cm	258 cm	280 cm	301 cm
Standard equipment incl.: Spring flap segments, mechanical angling, interceptors right and left, height adjustable wheels ø 250 x 80 mm					
• PU-lip (polyurethane), blade height 103 cm	3.457,-	3.654,-	4.040,-	4.286,-	4.482,-
• Communal lip (highly resistant rubber wear lip incl. corundum inlay) blade height 108 cm	4.345,-	4.622,-	5.104,-	5.435,-	5.723,-
Steel lip , blade height 103 cm (surcharge goes on top of basic price for PU-lip)	567,-	629,-	684,-	744,-	812,-

1332 Attachment systems

Wheel loader / telescopic loader attachment (quick-hitch) incl. pivoting part with roller-floating tunnel and height indication (shows mid-position in roller-floating tunnel)	1.656,-	1.656,-	1.656,-	1.656,-	1.656,-
Attachment plate incl. lifting system incl. pivoting part, lifting cylinder with pressure limit valve (double-acting control valve required), levelling and pendulum compensation for an optimum bottom guidance and transport securing, suitable for Unimog front loader plate DIN 76060:					
• shape B (size 3) incl. fastening via pivoting screws M30 or clamping screws M24					
• shape A (size 5) incl. fastening via pivoting screws M30	2.568,-	2.568,-	2.568,-	2.568,-	2.568,-
Three-point linkage CAT I / II (see page 27) incl. pivoting part					
• incl. screw-lip for rigid attachment	1.092,-	1.092,-	1.092,-	1.092,-	1.092,-
• incl. levelling	1.756,-	1.756,-	1.756,-	1.756,-	1.756,-
• incl. roller-floating tunnel and height indicator	1.547,-	1.547,-	1.547,-	1.547,-	1.547,-
A-frame CAT I (see page 26) incl. pivoting part					
• incl. screw-lip for rigid attachment	1.017,-	1.017,-	1.017,-	1.017,-	1.017,-
• incl. levelling	1.681,-	1.681,-	1.681,-	1.681,-	1.681,-
• incl. roller-floating tunnel and height indicator	1.483,-	1.483,-	1.483,-	1.483,-	1.483,-
Fork-tines attachment 150 x 50 mm ; incl. pivoting part with screw-lip for rigid attachment					
• incl. levelling	1.025,-	1.025,-	1.025,-	1.025,-	1.025,-
1.689,-	1.689,-	1.689,-	1.689,-	1.689,-	1.689,-
Surcharge for bigger fork-tines (200 x 100 mm)					
	177,-	177,-	177,-	177,-	177,-

1332 Options

Hydraulic angling incl. two hydraulic cylinders (one double-acting hydraulic drive circuit required)	779,-	779,-	779,-	779,-	779,-
Hydraulic angling incl. pressure control valve , (1 double-acting hydraulic drive circuit required)	993,-	993,-	993,-	993,-	993,-
Pressure retention valve (often at a Merlo; is required in addition to the hydraulic angling, if there is no pressure retention valve in the hydraulic system of the vehicle)	(surcharge) 295,-	295,-	295,-	295,-	295,-
Skids	(price for 2 pcs.) 882,-	882,-	882,-	882,-	882,-
Heavy-duty wheels (CSE) Ø 306 x 116 mm	(price for 2 pcs.) 694,-	694,-	694,-	694,-	694,-
Snow guide cloth (for a good visibility for the driver)	499,-	515,-	533,-	547,-	558,-
Side-marker lamps (LED); prescribed to drive on public roads	(price for 2 pcs.) 278,-	278,-	278,-	278,-	278,-
Signal flag holders	(price for 2 pcs.) 65,-	65,-	65,-	65,-	65,-
Signal flags	(price for 2 pcs.) 33,-	33,-	33,-	33,-	33,-
Colour option acc. to RAL (RAL 2004 = standard)	246,-	246,-	246,-	246,-	246,-

Packaging + Freight (net)	260,-	285,-	305,-	320,-	390,-
----------------------------------	-------	-------	-------	-------	-------



1322 VARIO snow plough

	150 cm	180 cm	210 cm	260 cm	320 cm	370 cm
Clearing width V-shape	135 cm	161 cm	199 cm	226 cm	273 cm	281 cm
Clearing width Y-shape	135 cm	160 cm	193 cm	222 cm	257 cm	320 cm
Clearing width in angled position	135 cm	161 cm	196 cm	224 cm	265 cm	300 cm
Standard equipment incl.: stable frame with two hydraulically adjustable, flexible blades, incl. overcharge securing via nitrogen bubbles (two double-acting hydraulic drive circuits required), spring flap segments incl. folding mechanism (to protect the snow plough against damage, in case of barricades), side interceptors right and left, infinitely height adjustable wheels ø 200 x 50 mm (from 260 cm: ø 250 x 80 mm), snow plough height: see brochure						
• PU-lip (polyurethane)	2.912,-	3.269,-	3.835,-	4.807,-	5.377,-	6.210,-
• Communal lip (highly resistant rubber lip with corundum inlay)	3.328,-	3.710,-	4.312,-	5.467,-	6.001,-	7.052,-
Steel lip (surcharge goes on top of basic price for PU-lip)	282,-	338,-	395,-	475,-	584,-	668,-

1322 Attachment systems

Three-point linkage CAT I / II (see page 27); incl. pivoting part						
• incl. screw-lip for rigid mounting	980,-	980,-	1.126,-	1.126,-	1.126,-	1.317,-
• incl. levelling	1.615,-	1.615,-	1.773,-	1.773,-	1.773,-	1.923,-
• incl. roller-floating tunnel and height indicator	1.716,-	1.716,-	1.891,-	1.891,-	1.891,-	2.061,-
A-frame CAT I (see page 26); incl. pivoting part						
• incl. screw-lip for rigid mounting	905,-	905,-	1.050,-	1.050,-	1.050,-	1.241,-
• incl. levelling	1.420,-	1.420,-	1.566,-	1.566,-	1.566,-	1.717,-
• incl. roller-floating tunnel and height indicator	1.513,-	1.513,-	1.672,-	1.672,-	1.672,-	1.843,-
Fork-tines attachment, 150 x 50 mm						
• incl. levelling	1.025,-	1.025,-	1.171,-	1.171,-	1.171,-	1.362,-
Surcharge for bigger fork-tines (200 x 100 mm)	1.658,-	1.658,-	1.817,-	1.817,-	1.817,-	1.968,-
Surcharge for bigger fork-tines (200 x 100 mm)	177,-	177,-	177,-	177,-	177,-	177,-
Yard loader- / wheel loader- / telescopic loader attachment (quick-hitch system) incl. pivoting part with roller floating tunnel and height indication (shows mid-position in roller-floating tunnel)	1.741,-	1.741,-	1.916,-	1.916,-	1.916,-	2.107,-
Attachment plate for communal vehicles (Kommobil / Multicar / ... Lifting-system on vehicle-side required)						
• incl. screw-lip for rigid mounting	811,-	811,-	—	—	—	—
• incl. levelling	1.445,-	1.445,-	—	—	—	—
Attachment plate incl. lifting-device incl. pivoting part, lifting-cylinder with pressure limit (double-acting hydraulic drive circuit required), levelling and pendulum compensation for an optimum bottom guidance and transport securing suitable for Unimog front loader plate DIN 76060 :						
• shape B (size 3) incl. fastening via pivoting screws M30 or clamping screws M24	—	—	2.568,-	2.568,-	2.568,-	2.568,-
• shape A (size 5) incl. fastening via pivoting screws M30	—	—	—	—	—	—

1322 Options

Perfect control (only 12/24 volt plugs for switch box) blades adjustment in straight position right / left, respectively from Y- to V-shape in one operation (only one double-acting hydraulic drive circuit required)	1.308,-	1.308,-	1.308,-	1.308,-	1.308,-	1.308,-
Electro-magnetic commutator 12/24 V for vehicles with only one double-acting hydraulic drive circuit	716,-	716,-	716,-	716,-	716,-	716,-
Skids (price for 2 pcs.)	882,-	882,-	882,-	882,-	882,-	882,-
Extra stable wheels ø 200 x 80 mm steel-welded, for a width from 260 cm Heavy-duty wheels (CSE) Ø 306 x 116 mm (price for 2 pcs.)	258,-	258,-	258,-	694,-	694,-	694,-
Side-marker lamps (LED); prescribed for driving on public roads (price for 2 pcs.)	278,-	278,-	278,-	278,-	278,-	278,-
Signal flag holders (price for 2 pcs.)	65,-	65,-	65,-	65,-	65,-	65,-
Signal flags (price for 2 pcs.)	33,-	33,-	33,-	33,-	33,-	33,-
Colour option acc. to RAL (RAL 2004 = standard)	246,-	246,-	246,-	246,-	246,-	246,-

Packaging + Freight (net)	230,-	230,-	250,-	250,-	370,-	370,-
----------------------------------	-------	-------	-------	-------	-------	-------



1301 Salt spreader TS 120 / 200

	120 Litres	200 Litres
Basic equipment incl.:		
- 12 volt operation, ideal for vehicles with little or no hydraulic power		
- Central control unit, allows comfortable control of the spreading width and quantity from the driver's seat		
- Equipped with agitator (supported on both sides) as standard, for loosening and improvement of the salt flow, avoids bridging		
- Freely adjustable rotation speed, ensures the optimum dosage		
- Completely made of 2.5 mm stainless steel, for a long life		
- Plastic container with level indicator and intervention protection incl. loss-safe hinged lid		
- Central setting of throwing blade, for adjusting the spreading pattern		
- Spreading width up to 6 m		
	2.412,-	2.753,-

1301 Attachment systems

Screw-on bracket - Tow bar hitch for wheel / yard loaders or forklifts , height-adjustable; allows an easy attachment and tilting of the salt spreader, without having to dismount the tow coupling	612,-	612,-
Three-point linkage CAT I / II / 1N (see page 27)	218,-	218,-
A-frame	263,-	263,-

1301 Options

Lighting unit LED 12/24 V, adjustable, with indicator and brake/ rear light function	428,-	428,-
Packaging + Freight (net)	110,-	110,-



1601 Basic equipment / Specifications

Basic machine, ready for immediate operation, width 92,5 cm incl.:

- **Two double-acting hydraulic drive circuit**
- Leakage port
- Hydraulic lifting-system for various tools
- Three pneumatic wheels (field-tyres)
- **GFK-bonnet**, incl. swivelling system
- **Kubota** Diesel engine
- Hydraulic oil flow: 25 l/min at 3200 rpm
- 2 cylinder (water-cooled)
- 10,3 kW (14 HP) at 3200 rpm
- Hour meter
- Turning radius (cm): 92/146 (inner/outer)
- Electric start
- Two driving speeds
- Forward / backwards
- Hydraulic all-wheel drive
- **Hydraulic steering**
- **Quick-hitch system** on the carrier-vehicle side for tools

Total price

15.392,-

1601 TRIO 3 cylinder Basic equipment / Specifications

Basic machine, as described above, but with:

- **Kubota** Diesel engine, **3 cylinder** (water-cooled), 14.9 kW (20 HP) at 3600 rpm

Total price

16.479,-

1601 Optional equipment

Lawn tyres for grassed areas , in order to avoid damage done to the green	377,-
Rear weights 60 kg, screwed	468,-
Rollover bar	990,-
Weather protection roof , transparent (delivery in combination with rollbar, only)	354,-
Towing device (tow coupling with ball head)	246,-
LED working lights , front and rear	360,-
Tyre fill - with magnesium chloride to weight the vehicle - with polyurethane (PU), serves as a protection against flat tyres	110,- / pc. 190,- / pc.
Motor preheating system , 230 V	317,-
Hydraulic 4 times multi coupling possible to couple under pressure, (only for 2 double-acting hydraulic circuits, not for the free flow)	465,-
Hydraulic upper link , ideal for working with the high-dump bucket, 1 double-acting hydraulic drive circuit required - not suitable for bedding tools	339,-
Colour option , acc. to RAL (RAL 2004 = standard)	505,-

Packaging + Freight => Tichel-Trac, for initial equipment, for 3 tools max. (net)

345,-

Tools

1643	Bedding tool „E“ (automatic fill)	<p>Basic container 450 liters, conveyor with hydraulic drive (32 ccm engine), adjustable external dosing plate, agitator shaft as prevention of material bridging, infinitely variable speed adjustment of the agitator shaft and the conveyor (for a more precise regulation of the spreading portion); (recommended for heavy bedding material: tyres with PU-fill - see page 22)</p> <p>Agitator shaft for bedding tools without side brush: - 7 straight agitator blades, 2 outer cranked agitator blades (for heavy spreading material, deep bed cubicles)</p> <p>Agitator blade for bedding tools with side brush (price for side brush see here below): - 8 cranked agitator blades (7 straight agitator will be delivered free), container with metal sheet insert inside, additional option for dosing; (recommended for light spreading material; high-bed cubicles) 5.250,-</p>
------	---	--



Tools

Agitator blade for bedding tools with side brush (price for side brush see here below)	
- 4 shovel fingers, 2 cranked fingers incl. fine dose sheet metal (only for light material, high bed cubicles)	5.250,-
(Further options for initial equipment possible upon former agreement with the technical department/sales department)	
• Quick-hitch for Trio (auto fill) incl. tipping device	1.144,-
• Quick-hitch for Trio (manual fill): rigid and direct mounting on the Trio	433,-
• Cover plate to protect the bedding material against humidity (also suitable for top frames for basic container)	427,-
• Slurry scraper , working width 145 cm	428,-
• Side brush ø 750 mm , 100% PP (for high-bed cubicles in cowhouses)	
• hydraulic adjustment via hydraulic cylinder, incl. tipping device	1.471,-
• Side brush ø 850 mm , 100% PP (for high bed cubicles)	1.580,-
• Container extension (to increase fill capacity)	
• + 170 liters (total capacity 620 liters) for light material	163,-
• + 375 liters (total capacity 825 liters) for light material (restricted visibility for the operator)	285,-
• Quick-hitch adaptor for TRIO (Position of the bedding tool more removed from the Trac, shift in focus)	235,-

1623	Bedding tool „F“ (manual fill)	Basic container 160 liters, incl. worm conveyor, conveyor belt with hydraulic drive (32 ccm engine), incl. infinitely variable speed adjustment of worm conveyor and conveyor belt (for a more precise regulation of the spreading portion)	5.272,-
	Extra charge TRIO hitch-system		433,-
	• Liquid manure scraper , working width 145 cm		428,-
	• Side brush ø 750 mm , 100% PP (for high-bed cubicles in cowhouses)		
	• hydraulic adjustment via hydraulic cylinder, incl. tipping device		1.571,-
	• Side brush ø 850 mm , 100 % PP (for high-bed cubicles)		1.680,-
	• Quick-hitch adaptor for TRIO (allows a quick change of the various working tools)		235,-
1651	Slurry scraper	2 parts , V-shaped, max. width 1300 mm , height 350 mm, with double-lip, adjustable incl. quick-hitch	979,-
	• hydraulic angling of both scrapers (left and right)	(not possible in combination with side brush)	232,-
	• Side brush for slurry scraper , 100 % PP, ø 750 mm, incl. hydraulic angling		1.200,-
2243	Rubber blade	Width 1600 mm , hydraulically adjustable (2 cylinder)	1.429,-
1631	Food turner	110 cm incl. quick-hitch, hydraulic capacity from 20 to 50 l/min max. at 160 bar Quick-hitch for TRIO	2.663,-
	• Concentrated feed distributor to add on food turner		1.275,-
	• Cover for distributor		230,-
9004		• Yard loader attachment incl. height compensation via parallelogram	964,-
1162	Road sweeper	Simplex 120 cm	(see page 4)
1192	Snow blade	L-SK 125 cm	(see page 15)
2009	Radial brush	ø 1200 mm , 100 % PP, incl. rubber curtain for swath sweeping and quick-hitch	1.640,-
2326	Radial brush	ø 1200 mm , 100 % PP, incl. rubber curtain for swath sweeping and quick-hitch incl. deflector plate	2.016,-
1662	Mulching mower	110 cm ; 2 mulching blades; hydraulic drive via one hydraulic motor per blade, 4 guide wheels Ø 180 x 50 mm, height adjustment via spacer rings on wheels; 3-D levelling; required oil volume: 25 liters at 150 bar; incl. quick-hitch for TRIO	2.480,-
1665	Weed brush	Ø 750 mm , Brush type: 100 % flat wire	1.377,-
	Brush type: flat wire bunches and flat steel		1.595,-
	Brush type: 2-rowed, flat wire bunches		1.559,-
	incl. hydraulic pivoting device (right / left) via two cylinders, 2 height-adjustable support wheels 150 x 50 mm, anti-clockwise/ clockwise rotation with mechanical inclination adjustment of the brush, variable rubber protection cloth		
1685	High-dump bucket	width: 102 cm , for light materials; volume: 210 l, hydraulic dumping, optimal with hydraulic top link on the TRIO (see page 22) ..	1.449,-
1682	Pallet forks	width 90 cm , ISO/FEM 1, Fork: 8 x 2,5 x 80 cm, option: with hydraulic upper link Trio (Page 22)	986,-
	• prong protection - for road traffic.....		132,-
	Hydraulic 4 times multi coupling	For tools: possible to couple under pressure, (only for 2 double-acting hydraulic circuits, not for the free flow) Not for the free flow hydraulic of bedding tool E/F. Only in combination with quick hitch Trio.....	457,-

Packaging + Freight => tool (net)

135,-



1676 Basic equipment / Specifications „MINI 3“

Basic machine incl.:

(width: 850 mm, height: 1260 mm, length: 1750 mm, weight: 290 kg)

As described above, but with:

- Honda GXV 390, 1-cylinder air-cooled petrol engine
- 7,2 kW (10,2 HP)
- Forward: 6,3 km/h, backwards: 5,5 km/h
- 1 x double-acting hydraulic drive circuit
- Hydraulic lifting-device incl. quick-hitch
- Single-acting lifting unit in floating position for levelling
- Working hydraulic: 11 l/min at 170 bar
- 16,5 liters Hydraulic tank

7.229,-

1446 Tools

1676	Tyre fill with polyurethane (PU) , serves as a protection against flat tyres and for improved traction	132,- / pc.
	Slurry scraper 105 cm , V-shaped, wear-resistant PU-double-lips (polyurethane), ensure simple & easy cleaning of slatted floors, even in the narrowest space	500,-
	Slurry scraper 105 cm , (equipment as described above) incl. side brush ø 600 mm , 100% PP, mounted on the slurry scraper, with hydraulically swiveling, height is mechanically adjustable	1.498,-
	Fodder push blade / snow blade 135 cm , right and left swiveling, incl. wear-resistant clearing lip, to lay fodder and to clean the feed table simultaneously; applicable also for snow clearance	522,-
	Fodder push blade / snow blade 135 cm , (equipment as described above) incl. hydraulic angling	799,-
	Sweeper 100 cm , brush Ø 320 mm, 100 % PP, wheels Ø 140 mm, internal hydraulic motor, incl. splash guard for simple sweeping application, levelling • Hopper , mechanical emptying, incl. simple sweeping mode	1.076,- 315,-
	Bedding tool „EL“ with electric drive (24 V), battery-powered, max. time limit 30 mins, incl. charger; for materials such as: sawdust, straw meal, lime; incl. infinitely adjustable dosing slider; variable speed regulation of the conveyer; distribution on the right in driving direction; position of the spreader: rear, above the 3rd wheel • volume 48 litres • volume 150 litres	2.684,- 3.523,-
	Radial brush Ø 1050 mm , 100% PP, hydraulic, clockwise/anti-clockwise rotation • incl. rubber curtain for radial brush	928,-
	Radial brush Ø 1050 mm , (equipment as described above) incl. deflector plate (left) for a thorough cleaning of the feed alley	949,-
	Weed brush Ø 750 mm , Brush type: 100 % flat steel Brush type: flat wire bunches and flat steel incl. mechanical pivoting device (right / left), parking stand, anti-clockwise/ clockwise rotation with mechanical inclination adjustment of the brush, variable rubber protection cloth	1.048,- 1.270,-
	High-dump bucket , width: 87 cm, volume: 50 l, hydraulic dumping	746,-

Packaging + Freight Tichel-Trac MINI, for initial equipment only, for 3 tools max. (net)

230,-

Packaging + Freight Tools, for retrofittings only (net)

85,-



1432 FARM-CLEAN (Hand-guided working tool)

The Tichel "FARM-CLEAN"

has a strong Honda GCV 160 gasoline engine of 5,5 HP / 4 KW, distinguishing itself by a great power and smooth run. The fully galvanized machine is driven by a powerful hydraulic aggregate with forward gear and reverse speed (rod steering / no Bowden wires). Large field wheels (big ground clearance) transfer forces optimally to the ground and thus the capacity is completely exhausted. Standard equipment includes hydraulic connections for the attachment of the various tools, which can be mounted / dismounted toolless.

2.362,-

- **Continuously variable traction drive** up to 3,7 km/h, activation via rods and adjusting wheel (no Bowden cables)

417,-

- **Special tyres**, extra large field tyres 16 x 6.50 x 8 (ø 400 mm)

227,-

1441 Tools

Slurry scraper

100 cm, in V-shape, equipped as a double-lip scraper, incl. levelling, zinc-plated, incl. resistant diepothan-lips, ensures a simple and quick cleaning of slatted floors, even in narrow cow-houses

549,-

Side brush ø 600 mm, 100 % PP, adjustable by inclination iron, incl. support wheel, to sweep high-bed cubicles

935,-

Fodder push blade

110 cm, angling right and left, incl. levelling, powder-coated, with wear-resistant clearing lip to distribute fodder and to clean the feed table simultaneously

537,-

Snow blade

95 cm / height 40 cm, angling right and left, incl. resistant clearing lip, levelling, powder-coated

426,-

Axial road sweeper

hydraulic drive, brush Ø 320 mm, 100 % PP, powder-coated, pivoting to the right and left, incl. levelling

- 75 cm
- 100 cm

909,-

1.165,-

Dirt collector

powder-coated, suits the axial sweeper, incl. clearing lip

- 75 cm
- 100 cm

279,-

445,-

Radial road sweeper

Ø 800 mm, 100 % PP, powder-coated, hydraulic drive, incl. right/left run

1.068,-

Weed brush

Ø 600 mm, 100 % flat steel, hydraulic drive, incl. right/left run

1.050,-

Bedding tool „EL“ with electric drive (24 V), volume 48 litres, battery-powered, max. time limit 30 mins, incl. charger.;

for materials such as: sawdust, straw meal, lime; incl. infinitely adjustable dosing slider; variable speed regulation of the conveyor; distribution on the right in driving direction; Mounting via own chassis

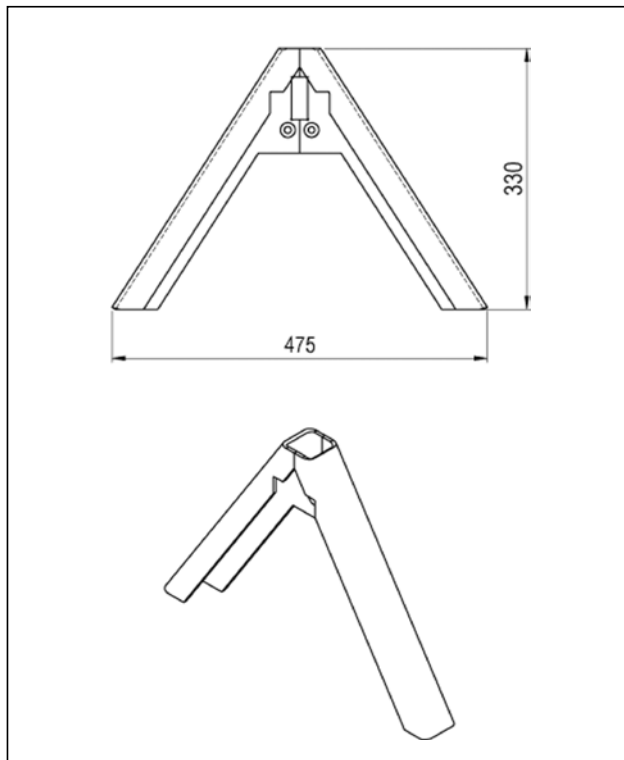
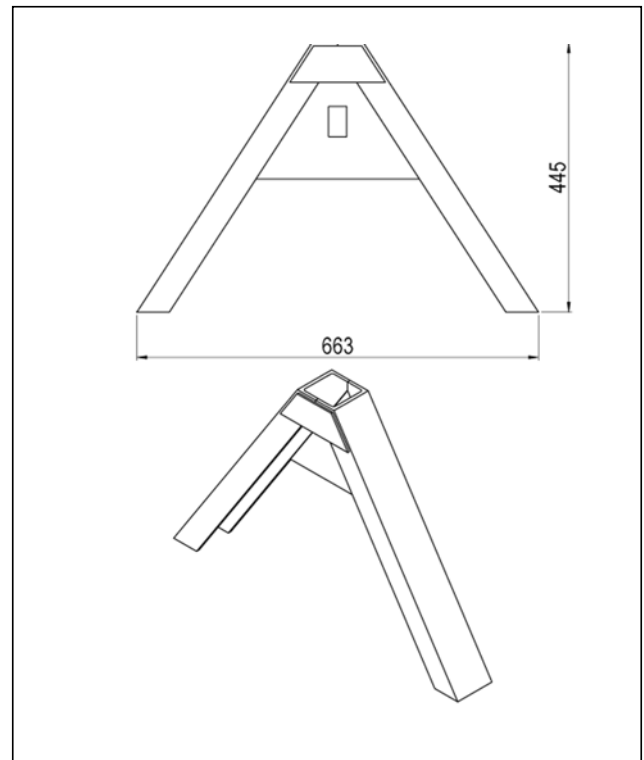
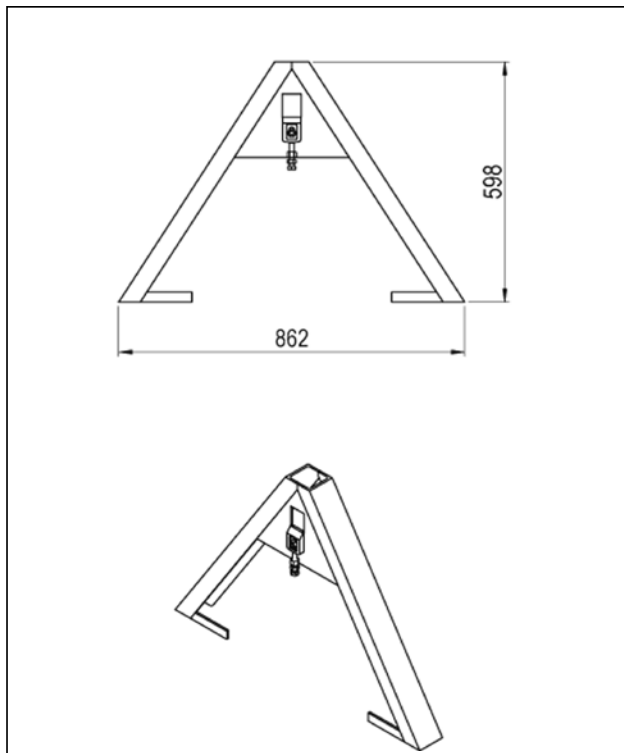
2.684,-

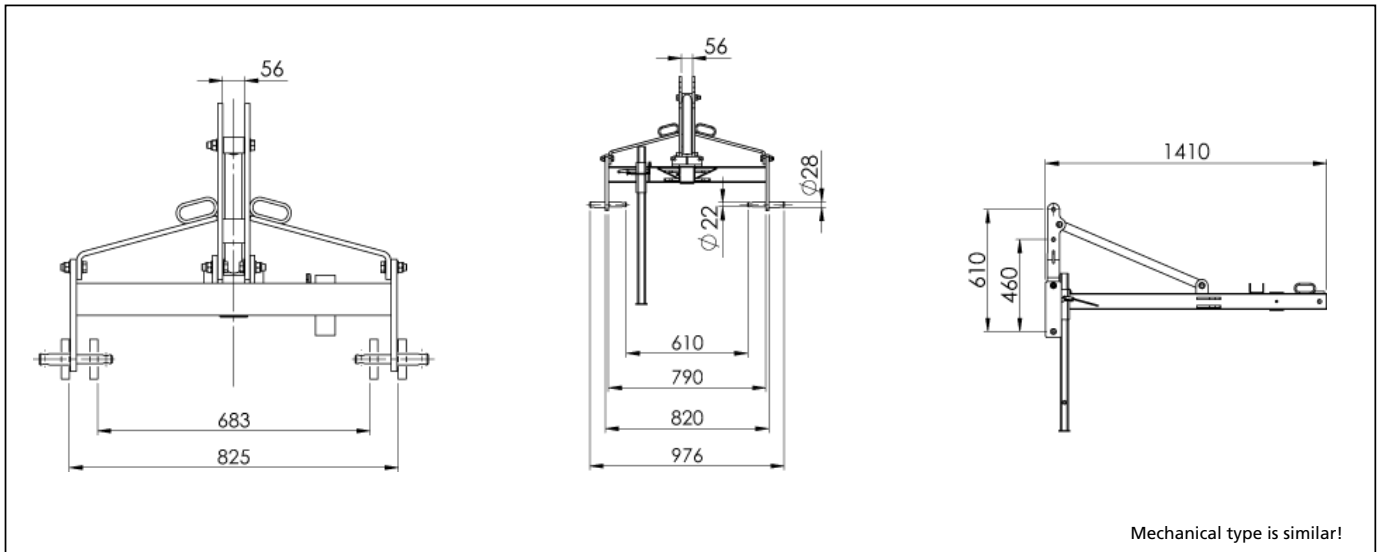
Packaging + Freight machine (net)

105,-

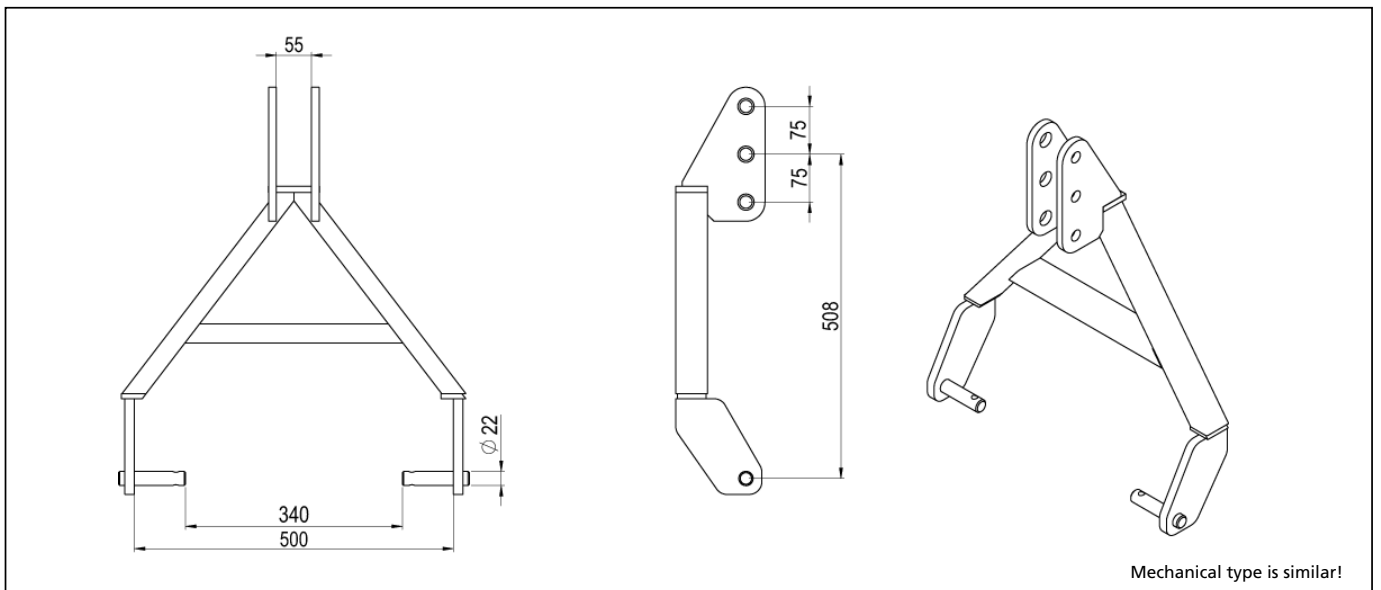
Packaging + Freight tool (net)

80,- / pc.

**A-frame: CAT Communal****A-frame: CAT 0****A-frame: CAT I**

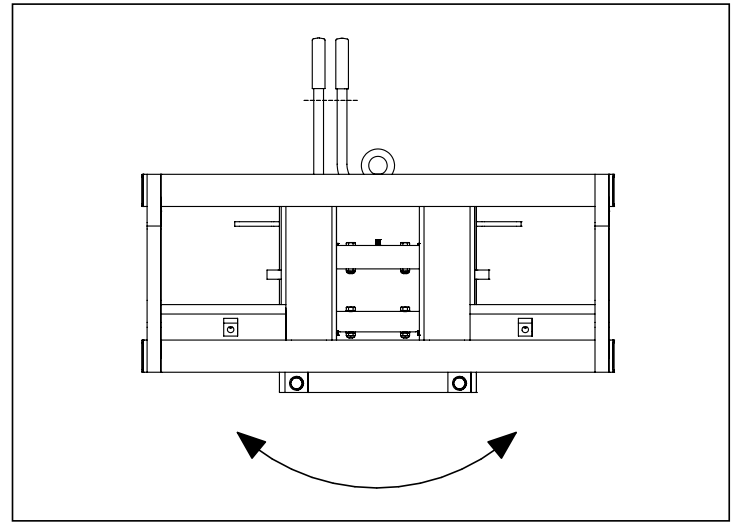
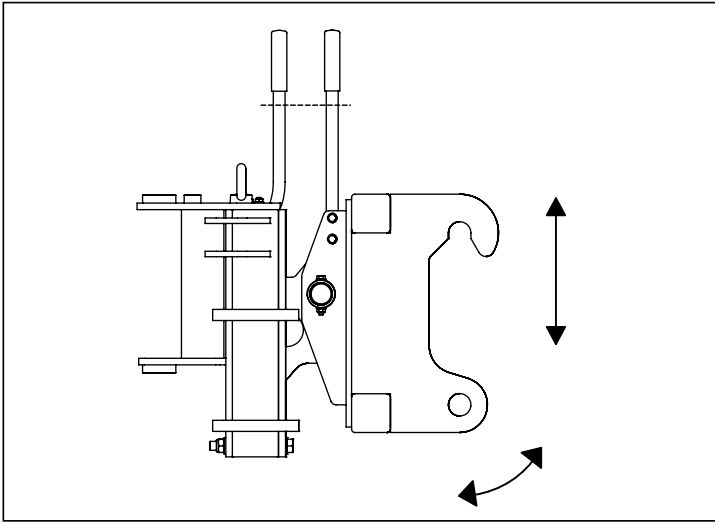


Three-point linkage: CAT I / II



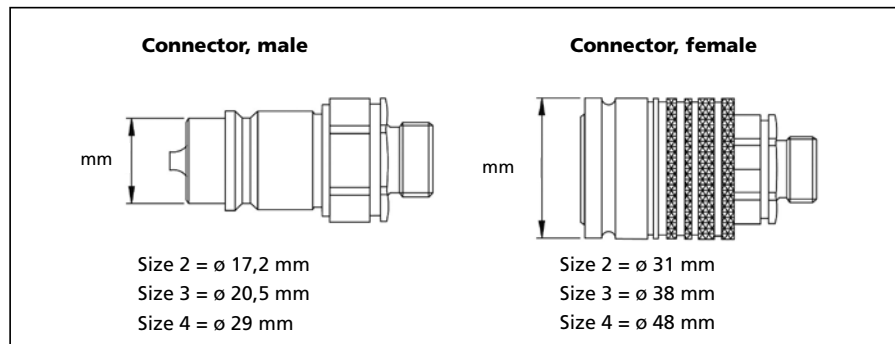
Three-point linkage: CAT I N

3-D levelling

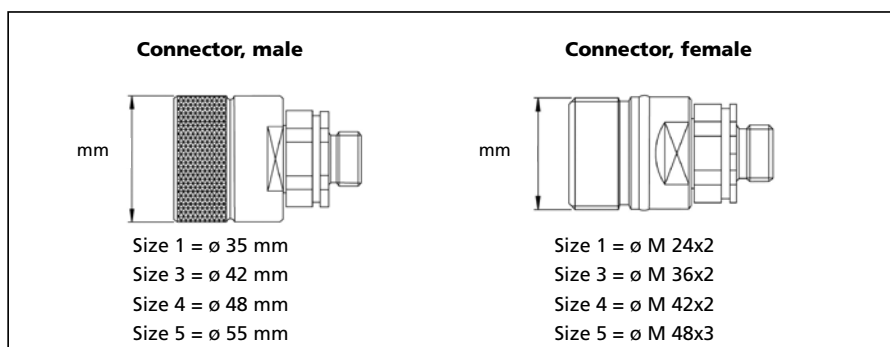


Hydraulic connectors - Type overview

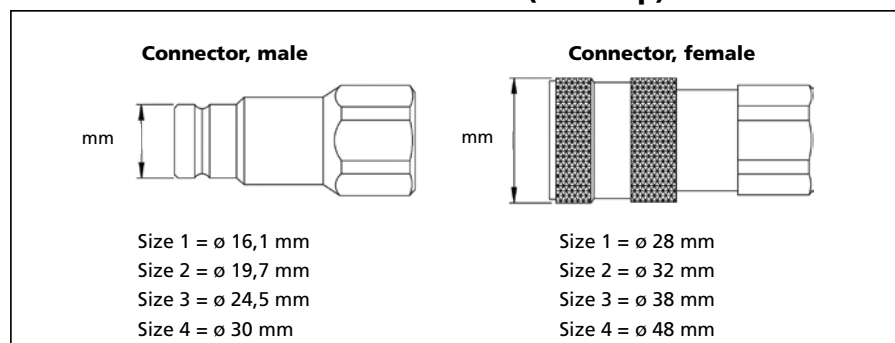
SVK-connector (size 3 = standard, further types on enquiry)



Screw coupling

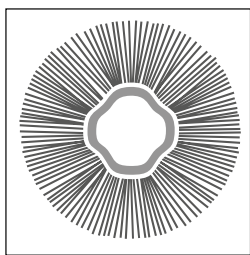


Flat-Face connector (non-drip)

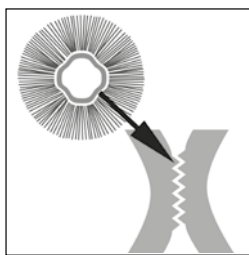


For hydraulic couplings in special size or larger than size 4 an additional price may be charged.

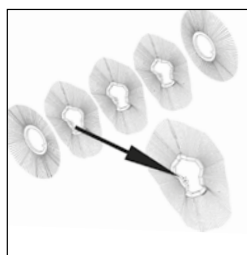
Brooms - Type overview



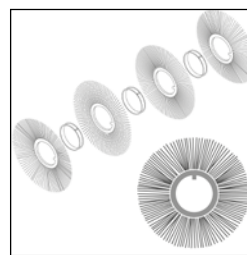
WaveLine



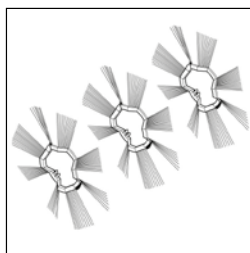
WaveLine with CrownLock system



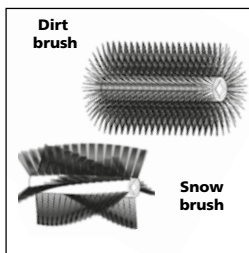
Beeline



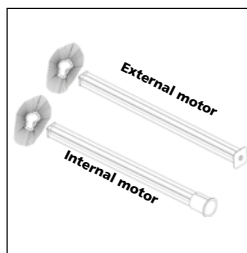
PP or PP / Wire



Snowline



Brush segments



Brush shaft for brush elements



Brush shaft for brush segment

Contact

Do not hesitate to contact us !



SALES REPRESENTATIVE FOR WALLONIA
Raphaël Nix

+32 (0)493 39 00 33
raphael@evogreen.be



SALES REPRESENTATIVE FOR FLANDERS
Bert Nickmans

+32 (0)493 39 00 32
bert@evogreen.be



ADMINISTRATION
Christine Stassen

+32 (0)493 39 00 30
admin@evogreen.be



AFTER SALES SERVICES
Robert Habets

+32 (0)493 39 00 31
support@evogreen.be

Quality „made in Germany“!



Again and again working machines and tools from TUCHEL set a new course in agriculture and construction business. In our modern manufacturing plant in Salzbergen our highly qualified personnel manufacture well over 3.000 machines per year. Our product range goes from road sweepers, snow blades and snow ploughs to hand-guided machinery and vehicles. Whether road sweepers, snow blades, hand-operated machines or multifunctional all-wheel-drive vehicles: Tuchel counts on quality and only uses high-quality components, such as eg. motors from Sauer Danfoss. That's another good reason for making Tuchel to your reliable business partner!

Ask for product info
now!



Evogreen srl – Rue du Bois 44 – B-4840 Welkenraedt
Tel : +32 (0)87 88 10 24 - Fax : +32 (0)87 88 19 99
info@evogreen.be - www.evogreen.be

*All former prices are no longer valid! We reserve the right to increase our prices acc. to raw material surcharge and toll! Measurements, weights and technical data are non-binding and prior to change.

Please note: Tuchel usually delivers their machinery with standard hydraulic connectors. Special hydraulic connectors on demand, only!

Please note: Wire bristles may loosen or break due to manufacture. In sensitive areas this can lead to injuries. We assume no liability therefore.