

# FSI H65

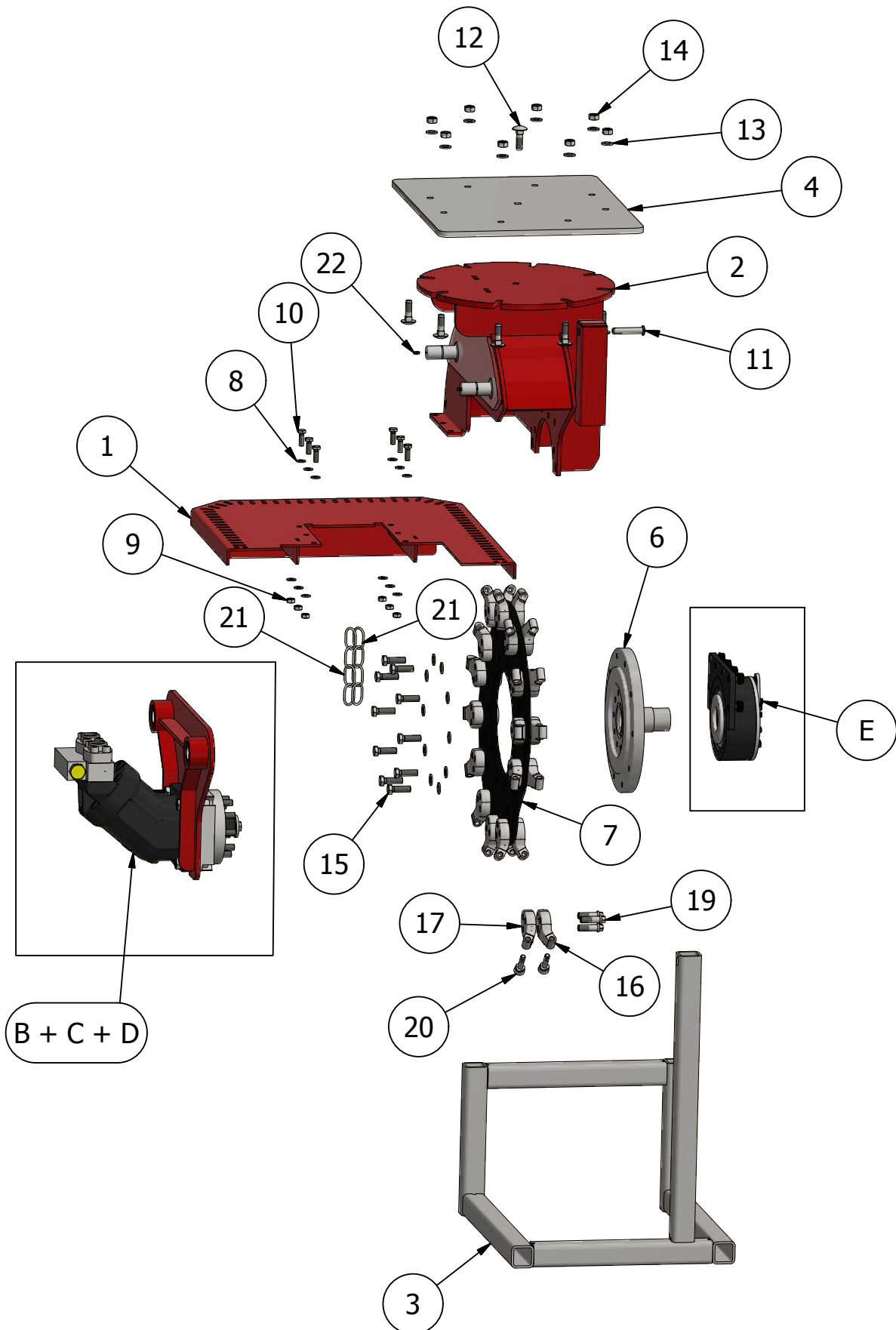
## Spare Parts List

For Product number:

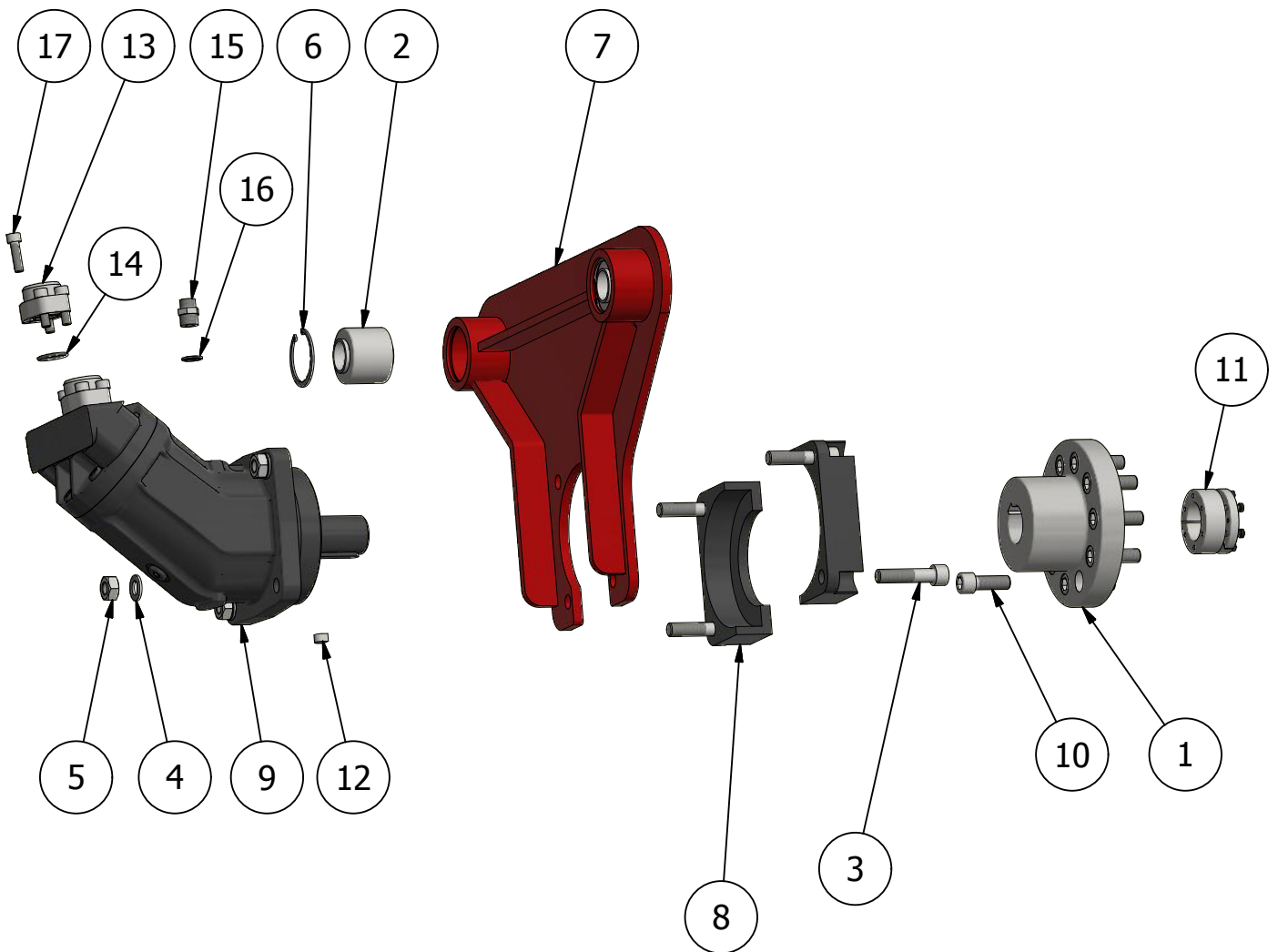
| A200020 | A200040 | A20060 |



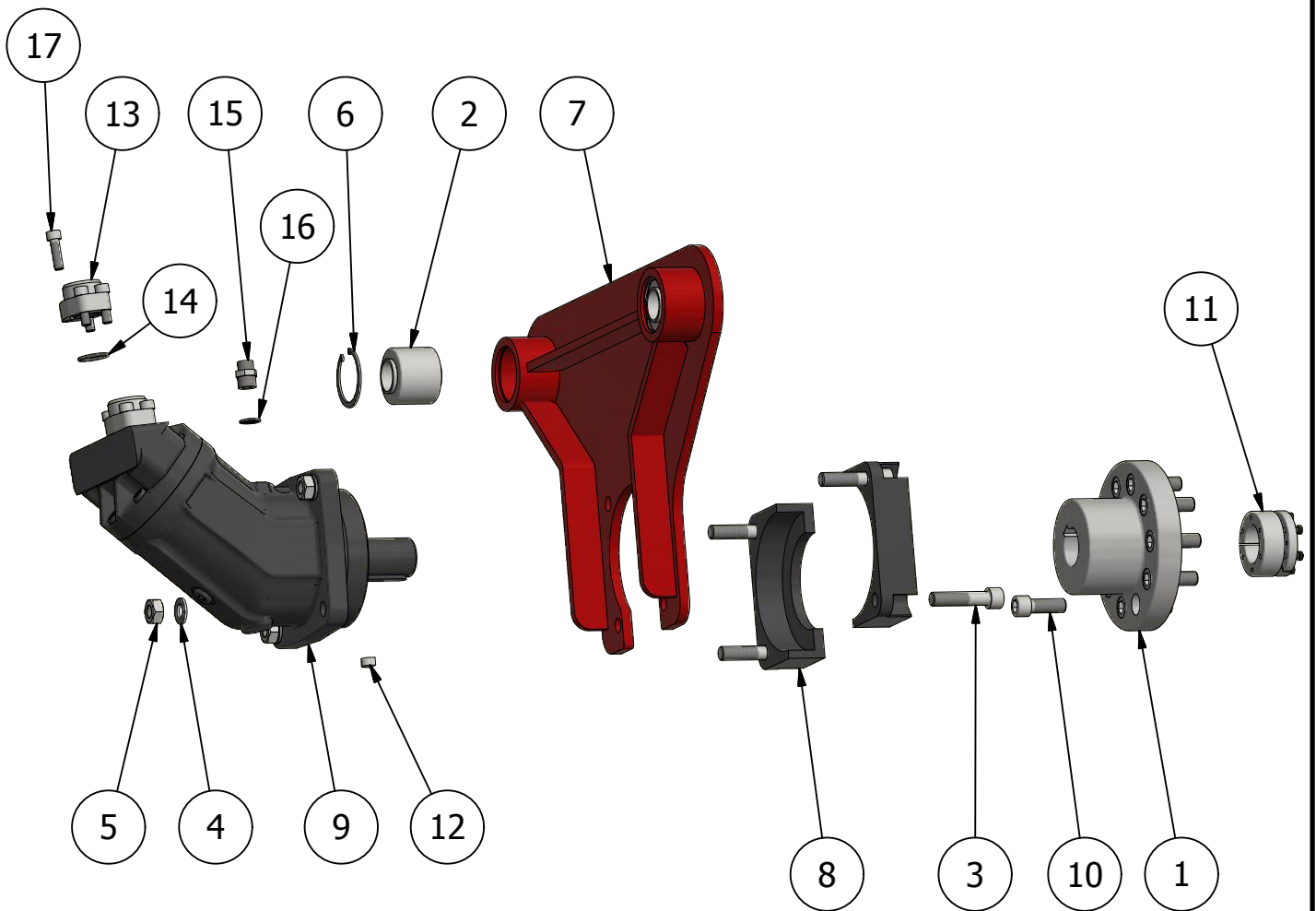
Version 2.1, 05-2018, English



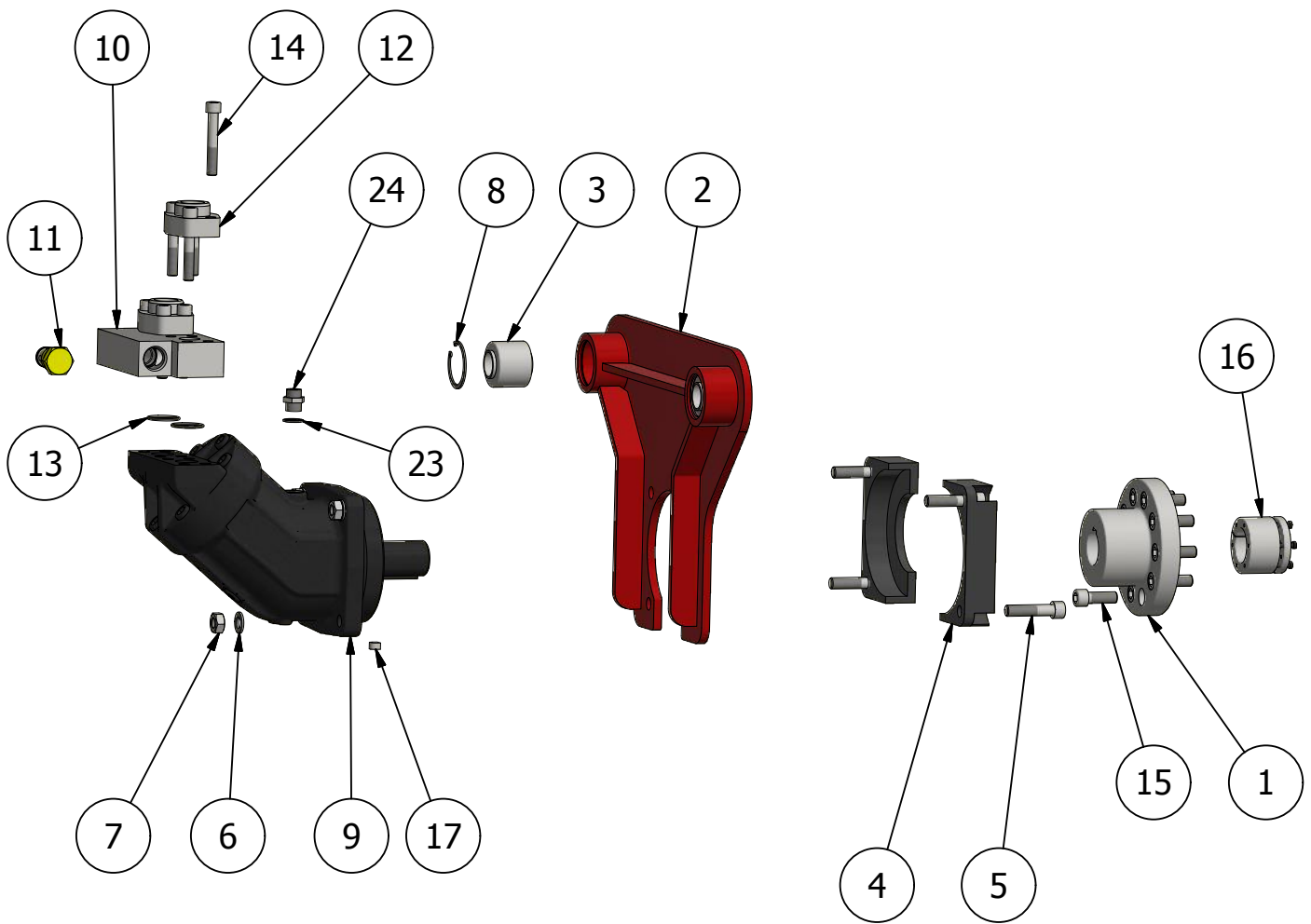
Pos.	Pcs.	Part no.	Description
1	1	55500508	Guard without chains ST65H
2	1	55500507	Housing H65
3	1	55500338	Stand H65
4	1	55500519	Unpainted Attachment H65
6	1	55500534	Hub
7	1	55500466	Cutter Wheel Set, H65/T65
8	12	39122425	Washer M12
9	6	38000212	Lock Nut M12
10	6	32012035	Bolt M12x35
11	1	37019070	Linkage Pin Ø19X76Mm
12	9	37016050	Carriage Bolt M16X50
13	19	39163030	Washer M16
14	9	38000216	Lock Nut M16
15	10	32016050	Bolt M16x50
16	14	12853960	Unthreaded Holder f. Ø28,5mm Tooth, CC39mm
17	14	12853900	Threaded Holder f. Ø28,5mm Tooth, CC39mm
19	3	55500724	Bolt L=51/64mm f. Holder f. Ø28,5mm Tooth
		12850000	Tooth Ø28,5mm incl. 2x Nuts
20	28	12850000-T	Tooth Ø28,5mm
	28	12850000-N	Nut f. Tooth Ø28,5mm
21	32	20030095	Chain f. Protection 11 Links
21	27	20030096	Chain f. Protection 13 Links
22	2	20030011	Grease Niple M6



Pos.	Pcs.	Part no.	Description
1	1	55501441	Hub H65 Rexroth motor
2	2	20040017	Bushing
3	4	33516070	Bolt Insex M16x70
4	4	39163030	Washer M16
5	4	38000216	Lock Nut M16
6	2	20070035	Snap Ring Internal Ø65x2,5mm
7	1	55500536	Motor Bracket f. Subfab
8	2	55500557	Cover Sunfab
9	1	20022013	HY-Motor Rexroth 107cc
		20022149	Sealing Kit H65 100-130/135-160
10	10	33516045	Bolt Insex M16x45
11	1	20050128	Clamping Element 45/75 H65 Nav
12	1	55502750	Grove f. H65 14x9x14
13	2	60000245	Connection Flange 1" -1" H65 100-130 + 135-160
14	2	60000791	O-ring 1"
15	1	20024046	Adaptor 1/2"-12L
16	1	60000343	Bonded Seal 12L
17	8	33510035	Bolt Insex M10X35 Black 12.9

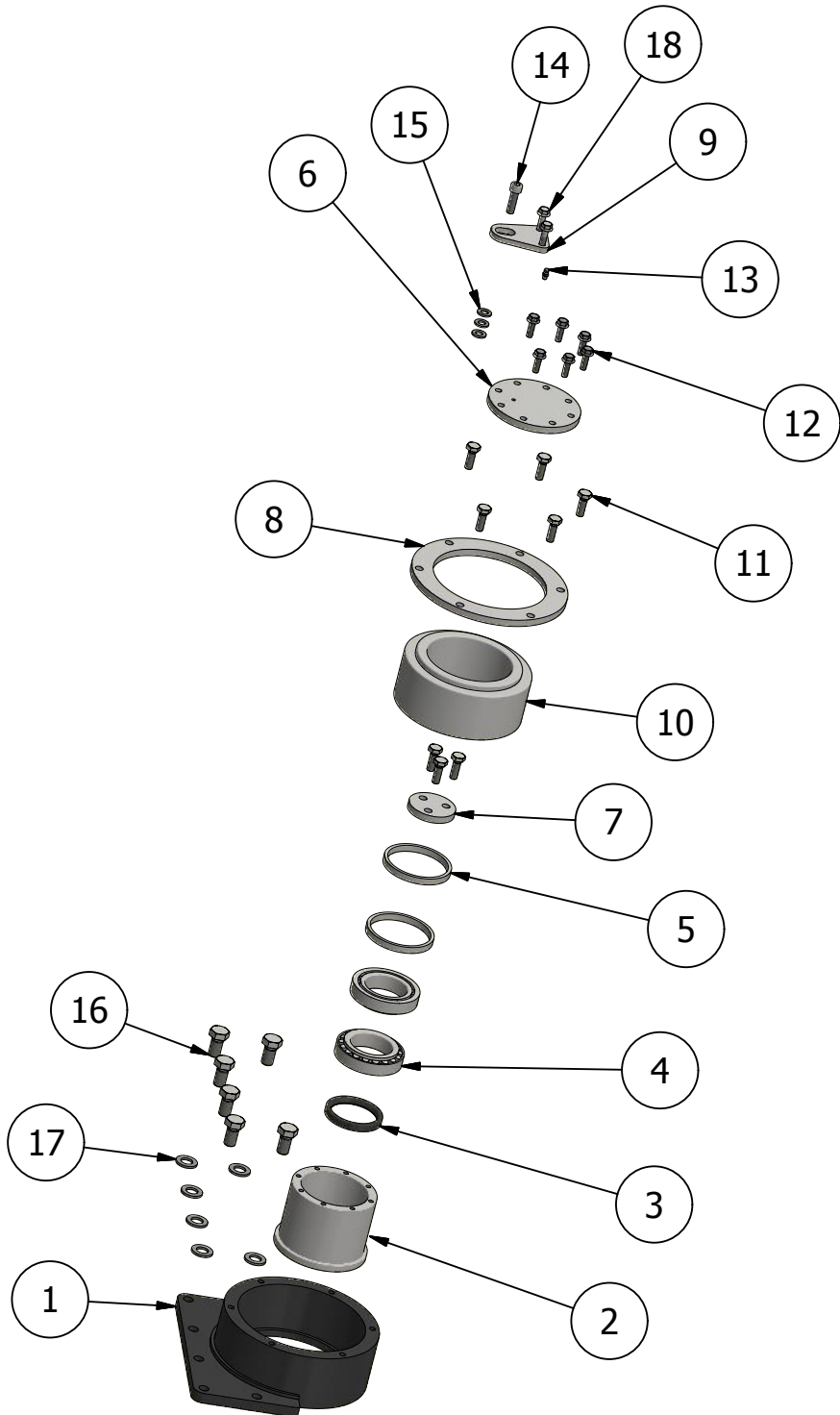


Pos.	Pcs.	Part no.	Description
1	1	55501441	Hub H65 Rexroth motor
2	2	20040017	Bushing
3	4	33516070	Bolt Insex M16x70
4	4	39163030	Washer M16
5	4	38000216	Lock Nut M16
6	2	20070035	Snap Ring Internal Ø65x2,5mm
7	1	55500536	Motor Bracket f. Subfab
8	2	55500557	Cover Sunfab
9	1	20022012	HY-Motor Rexroth 125cc
		20022149	Sealing Kit H65 100-130/135-160
10	10	33516045	Bolt Insex M16x45
11	1	20050128	Clamping Element 45/75 H65 Nav
12	1	55502750	Grove f. H65 14x9x14
13	2	60000245	Connection Flange 1" -1" H65 100-130 + 135-160
14	2	60000791	O-ring 1"
15	1	20024046	Adaptor 1/2"-12L
16	1	60000343	Bonded Seal 12L
17	8	33510035	Bolt Insex M10X35 Black 12.9





Pos. nr.	Styk.	Tegnings nr.	Beskrivelse
1	1	55501438	Hub H65, Rexroth 160cc
2	1	55500525	Motor Bracket f. Rexroth 160cc
3	2	20040017	Bushing
4	2	55500555	Cover Rexroth 160cc
5	4	33516070	Bolt Insex M16x70
6	4	39163030	Washer M16
7	4	38000216	Lock Nut M16
8	2	20070035	Snap Ring Internal $\varnothing$ 65x2,5mm
9	1	20022006	HY-Motor Rexroth 160cc
		20022121	Sealing Kit H65 165-200
10	1	55500560	Housing f. One Way Valve Rexroth 160cc
11	1	20024095	One Way Valve Rexroth 160cc
12	2	20024096	Connection Flange 1" -1" H65 1165-200
13	2	20024097	O-Ring
14	8	33014090	Bolt Insex M14x90
15	10	33516045	Bolt Insex M16x45
16	1	20050129	Clamping Element Motor H65 165-200 L/Min
17	1	55502750	Grove f. H65 14x9x14
23	1	20024044	Bonded Seal 1/2"
24	1	20024058	Adapter 1/2"-15L
24	1	20024058	Adapter 1/2"-15L



Pos.	Pcs.	Part no.	Description
1	1	55500528	Bearinghousing External H65
2	1	55500548	Bearinghousing Internal H65
3	1	20022107	Shaft Seal Ring f. Bearinghouse H65
4	2	20040016	Tapered Roller Bearing H65
5	2	55500547	Distance Ring
6	1	55500550	Bearing Cover H65
7	1	55500549	Stop Washer f. Bearing H65
8	1	55500483	Flange f. Bearing Unit
9	1	55500517	Bracket f. Bearing Unit 65H
10	1	20040015	Ge 120 Spherical Bearing
11	8	32010030	Bolt M10x30
12	6	31508025	Bolt M8x25 w. Flange
13	1	20030011	Grease Niple M6
14	1	33510035	Bolt Insex M10x35 Black 12.9
15	3	39102120	Washer M10x21x2,0
16	6	32016030	Bolt M16x30
17	6	39163030	Washer M16
18	2	31508035	Bolt M8x35 w. Flange