



FSI H20

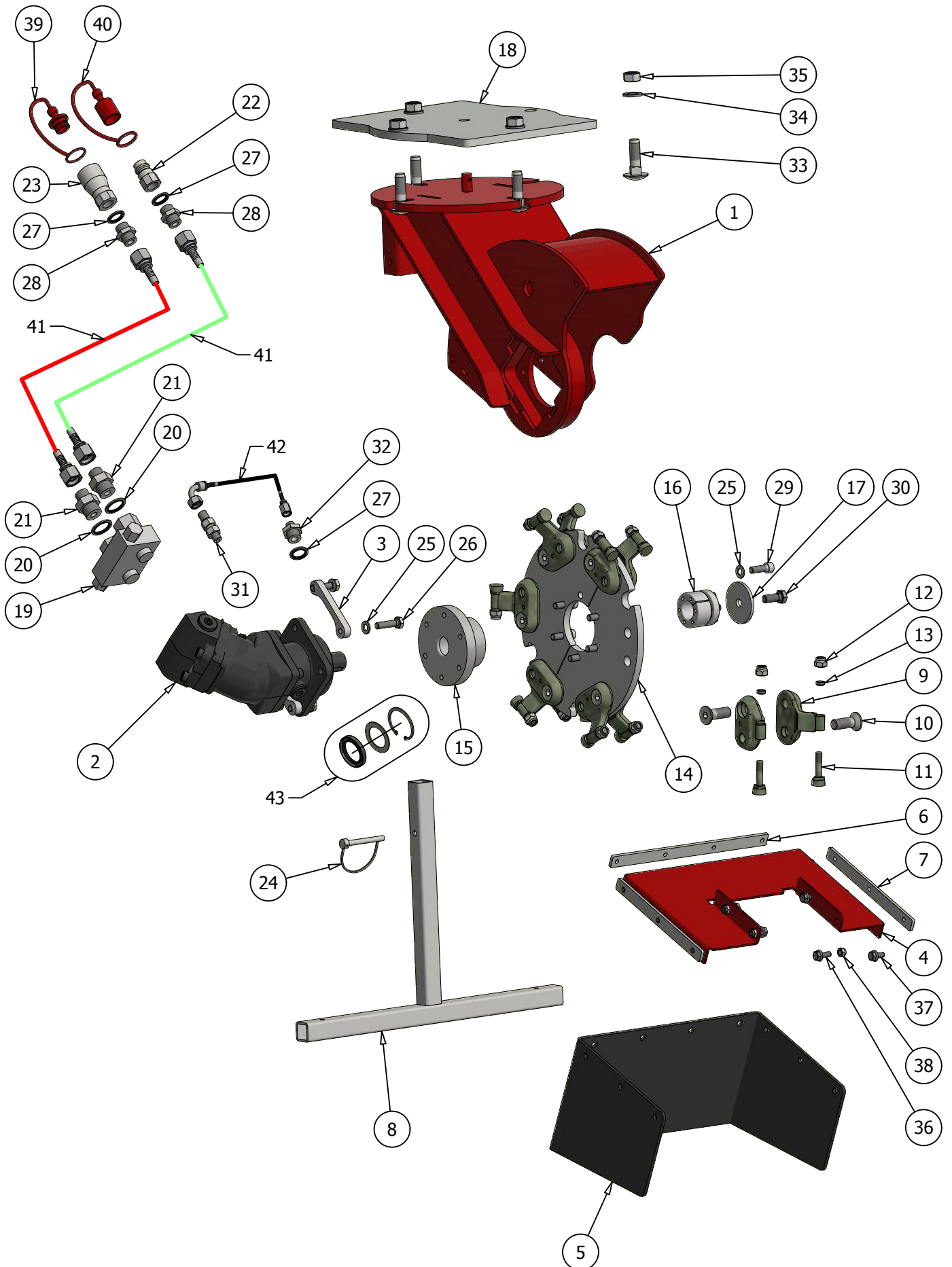
Spare Parts List

For Product number:

| A200300 |



Version 2.1, 05-2018, English



| Pos. | Pcs. | Part/No | Description |
|------|------|------------|---|
| 1 | 1 | 55501644 | Cutter Housing H20 |
| 2 | 1 | 20022001 | Hydraulic Motor Sunfabh20 |
| 3 | 2 | 55501381 | Bracket f. motor H20/S |
| 4 | 1 | 55500939 | Guard w/o Rubber Protection |
| 5 | 1 | 55500917 | Rubber Protection H20 |
| 6 | 1 | 44702600 | Mounting Strip 305mm - 4 Holes |
| 7 | 2 | 44301400 | Mounting Strip 230mm - 3 Holes |
| 8 | 1 | 55501421 | Stand H20/S |
| 9 | 12 | 12054500 | Holder CC45mm f. Tooht Ø20,5mm |
| 10 | 12 | 12051016 | Bolt L=51mm f. Holder Ø17-20-24,5mm |
| | | 12050000 | Tooth Ø20,5mm w. Extra Nut (Pos 11, 12x2, 13) |
| 11 | 12 | 12050000-T | Tooth Ø20,5mm |
| 12 | 12 | 12050000-N | Nut f. Tooth Ø20,5mm |
| 13 | 12 | 12050000-W | Washer f. Tooth Ø20,5mm |
| 14 | 1 | 55501513 | Cutter Wheel Set, H20 |
| 15 | 1 | 55501362 | Hub for cutting wheel H20 |
| 16 | 1 | 20050126 | Clamping Set |
| 17 | 1 | 55501380 | Cover f. Clamp |
| 18 | 1 | 55501625 | Plate for attachment |
| 19 | 1 | 20022148 | Free Wheel Valve |
| 20 | 2 | 20024043 | Bonded Seal 3/4" |
| 21 | 2 | 20024015 | Adaptor 1/2"-3/4" BSP |
| 22 | 1 | 20024017 | Quick Coupler 1/2" Male |
| 23 | 1 | 20024018 | Quick Coupler 1/2" Female |
| 24 | 1 | 20030018 | Lock Pin Ø8X60 |
| 25 | 10 | 39102020 | Washer M10 |
| 26 | 4 | 32010040 | Bolt M10x40 |
| 27 | 3 | 20024044 | Bonded Seal 1/2" |
| 28 | 2 | 20024016 | Adaptor 1/2 - 1/2 BSP |
| 29 | 6 | 33010030 | Bolt Insex M10X35 Black 12.9 |
| 30 | 1 | 32012030 | Bolt M12x30 |
| 31 | 1 | 20025010 | One Way Valve f. Leakoil H20 |
| 32 | 1 | 20024072 | Adaptor 1/2-1/4 |
| 33 | 4 | 37016050 | Carriage Bolt M16X50 |
| 34 | 4 | 39163030 | Washer M16 |
| 35 | 4 | 38000216 | Lock Nut M16 |
| 36 | 4 | 31508020 | M8 X 20 Bolt With Flange |
| 37 | 10 | 31508016 | M8 X 16 Bolt w. Flange |
| 38 | 4 | 38000408 | Nut M8 |
| 39 | 1 | 20024005 | Dust Cap f. Female |
| 40 | 1 | 20024010 | Dust Cap f. Male |
| 41 | 2 | 20023007 | Hydraulic hose 1/2" x 1500 |
| 42 | 1 | 20023006 | Leak Oil Hose H20 |
| 43 | 1 | 20022103 | Sealing Set H20/H20S |