



FSI H20S

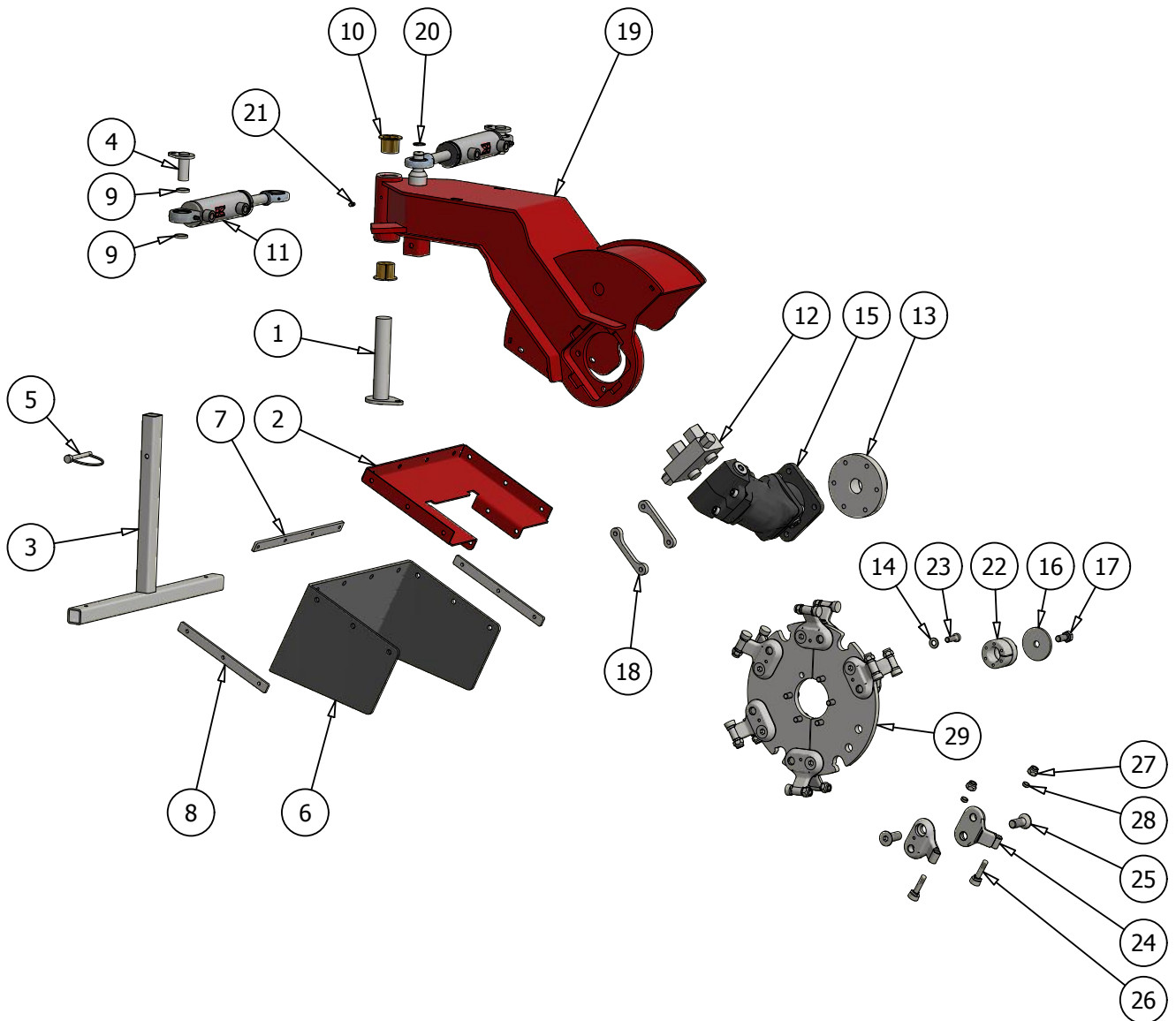
Spare Parts List

For Product number:

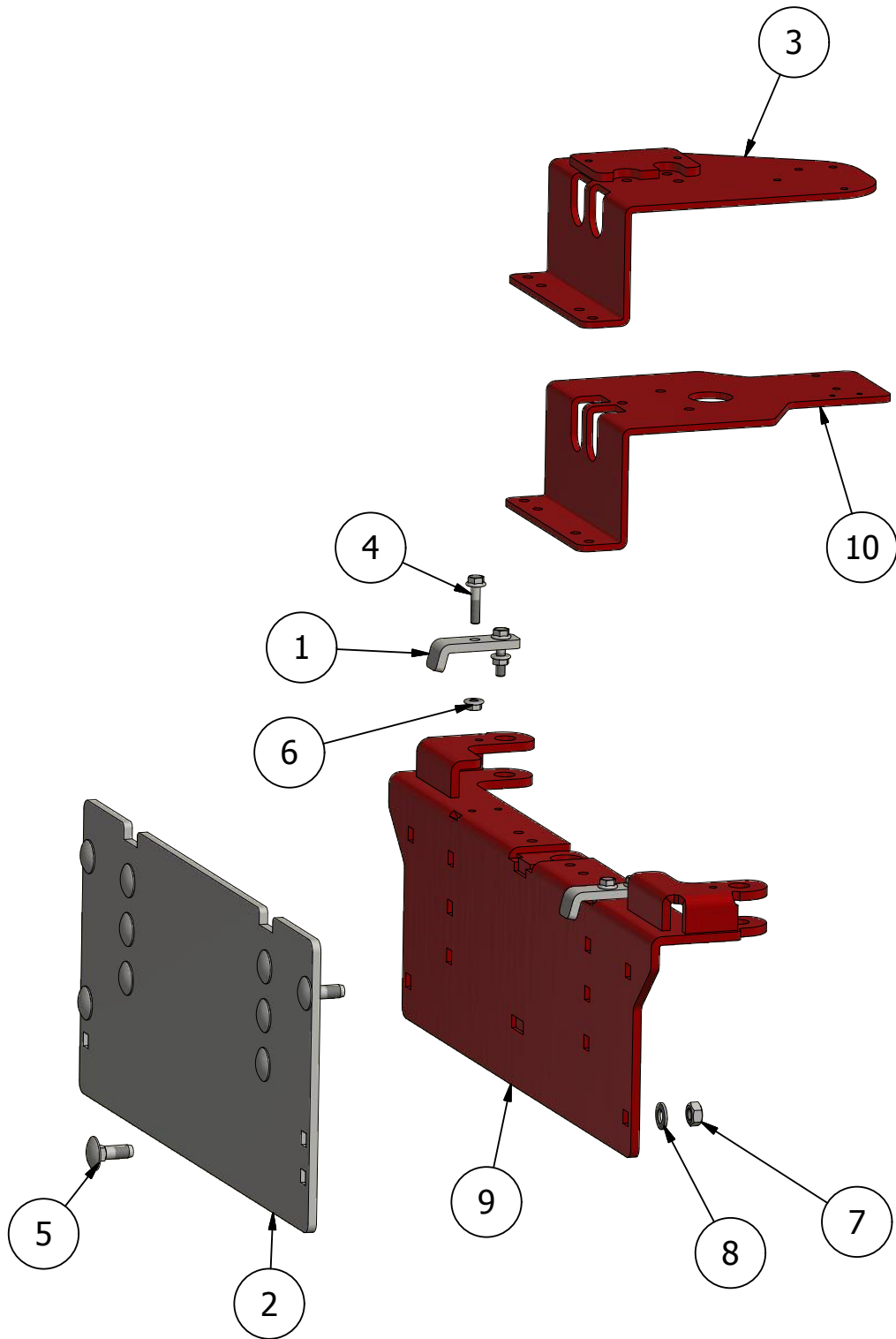
| A201300 |



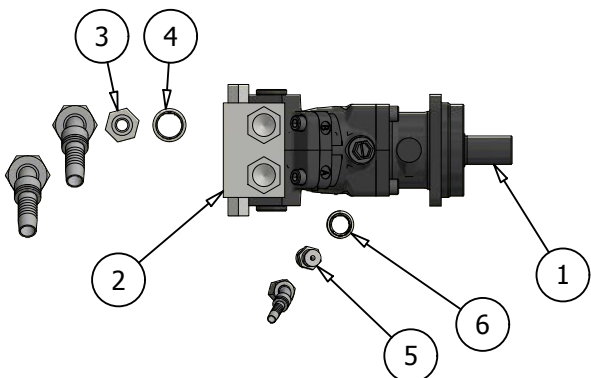
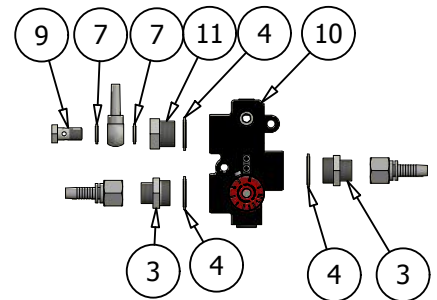
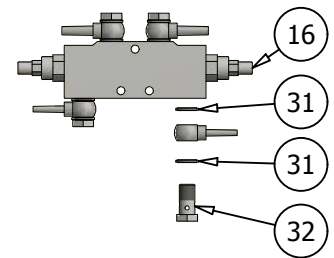
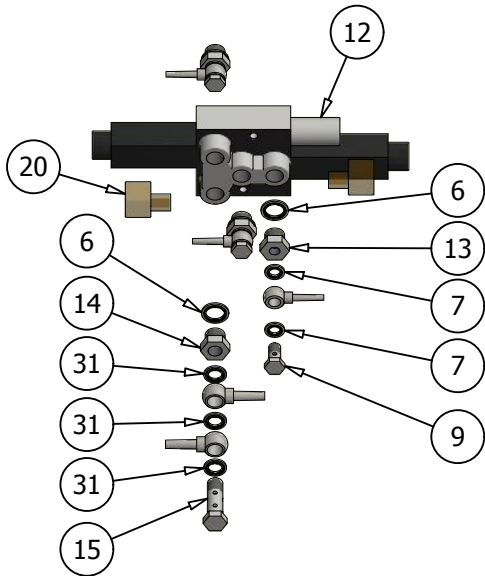
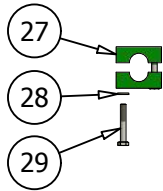
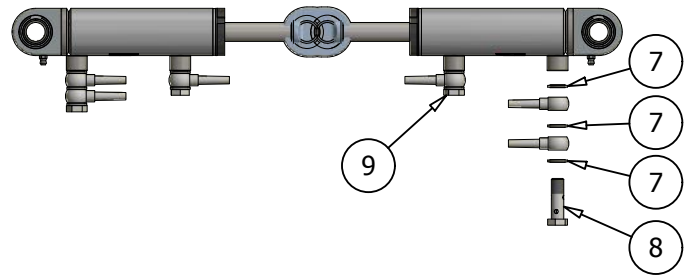
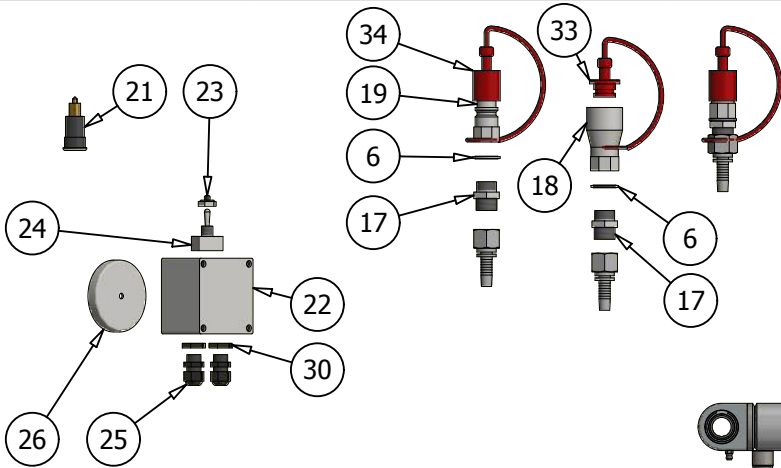
Version 2.2, 01-2019, English



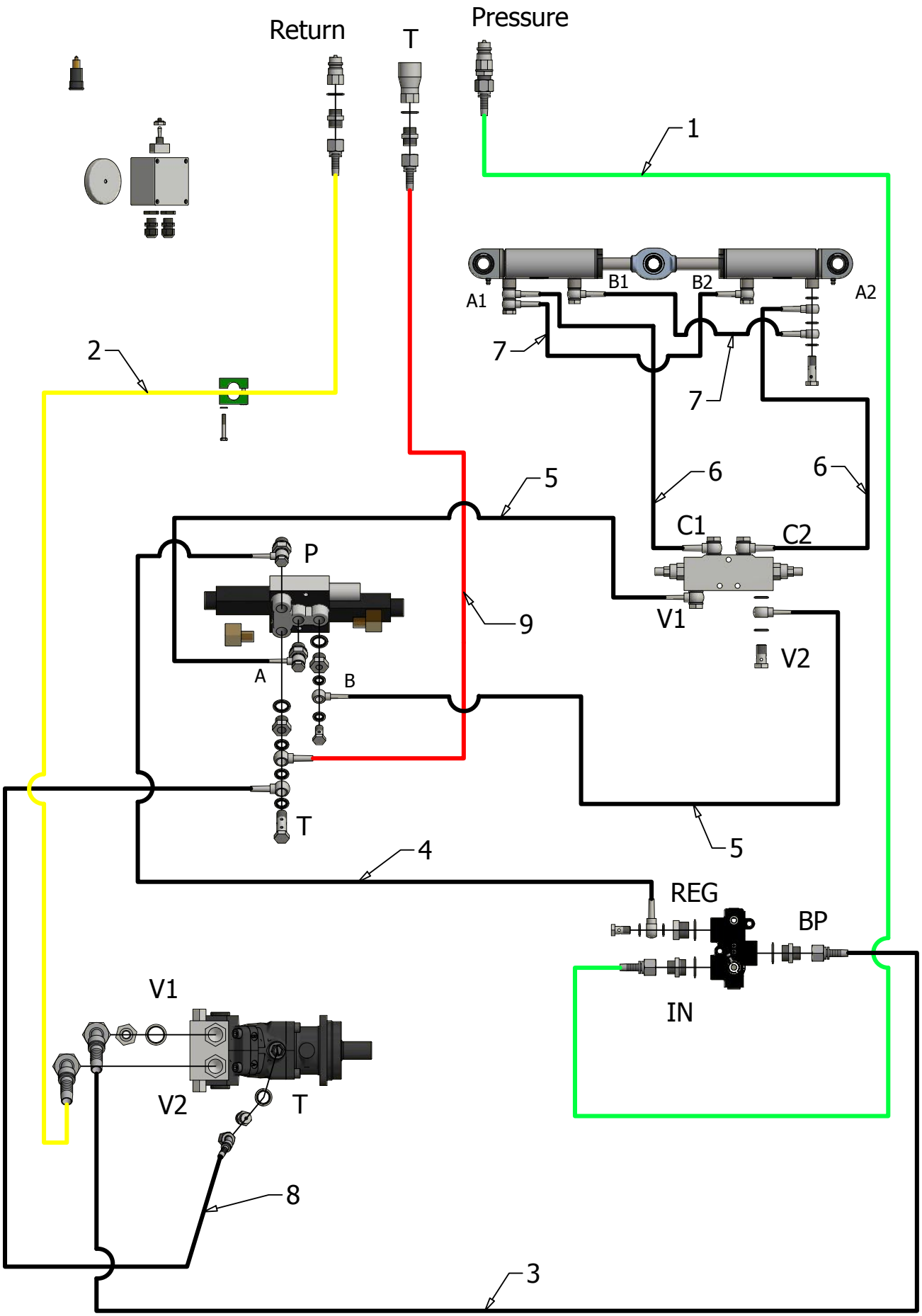
Pos.	Pcs.	Part/No	Description
1	1	55500074	Cyl. Bolt \varnothing 30x160
2	1	55500939	Guard for Rubber Protection steel part H20
3	1	55501421	Stand H20S
4	2	55500080	Cyl. Bolt \varnothing 20x45
5	1	20030018	Lock Pin \varnothing 8X60
6	1	55500917	Rubber Protection H20
7	1	44702600	Mounting Strip 305mm - 4 Holes
8	2	44301400	Mounting Strip 230mm - 3 Holes
9	4	44275604	Washer f. HY-Cylinder
10	2	20040019	Bronze Bushing \varnothing 30 w. Flange
11	2	20026028	HY-Cylinder 90-20-40- \varnothing 20
12	1	20022148	Free Wheel Valve f. SCM025
13	1	55501362	Hub for cutting wheel H20
14	6	39102120	Washer M10
15	1	20022001	Hydraulic Motor Sunfab H20
		20022103	Sealing Set H20/H20S
16	1	55501380	Cover f. Clamp
17	1	33010030	Bolt Insex M10X35 Black 12.9
18	2	55501381	Bracket f. motor H20S
19	1	55501396	Housing H20S
20	1	20070041	Snap Ring External \varnothing 20
21	1	20030011	Grease Nipple M6
22	1	20050126	Clamping Set H20 H40 H40S
23	6	33510030	Bolt Insex 12.9 M10x30
24	12	12054500	Holder CC45mm for tooth \varnothing 20,5mm
25	12	12051016	Bolt L=51mm for Holder \varnothing 17-20-24,5mm
		12050000	Tooth \varnothing 20,5mm w. Extra Nut (Pos 26, 27x2, 28)
26	12	12050000-T	Tooth \varnothing 20,5mm
27	12	12050000-N	Nut f. Tooth \varnothing 20,5 + Tooth \varnothing 17,5
28	12	12050000-W	Washer f. Tooth \varnothing 20,5mm
29	1	55501513	Cutter Wheel Set, H20



Pos.	Pcs.	Part/No	Description
1	2	55501866	Mounting Guide Hook
2	1	55501522	Unpainted Attachment H20S+H40S
3	1	55501419	Bracket f. Valves - 3 Hose Machines
4	4	32008035	Bolt w. Flange M8x35
5	10	37016051	Carriage Bolt M12x35
6	4	37000408	Flange Nut w. Lock M8
7	10	38000208	Locknut M8
8	10	39122425	Washer M12
9	1	55502189	Standard FSI Mount Base
10	1	55502524	Bracket f. Valve - 5 Hose Machines



Pos.	Pcs.	Part/No	Description
1	1	20022001	Hydraulic Motor Sunfab H20
		20022103	Sealing Set H20/H20S
2	1	20022101	Free Wheel Valve
3	4	20024045	Adaptor 3/4-15L
4	5	20024043	Bonded Seal 3/4"
5	1	20024046	Adaptor 1/2"-12L
6	8	20024044	Bonded Seal 1/2"
7	18	20024066	Bonded Seal 1/4"
8	2	20024047	Banjo Bolt 1/4" Double
9	6	20024068	Banjo Bolt 1/4"
10	1	20025024	Flow Valve
11	1	20024107	Adaptor 1/4-3/4"
12	1	20025005	Valve H20S 12V, Adjust To 75Bar
13	3	20024029	Adaptor 1/2" - 1/4"
14	1	20024108	Adaptor 1/2" Npt - 3/8" Bsp
15	1	20024037	Banjo Bolt Double 3/8"
16	1	20025012	OC Valve
17	3	20024058	Adapter 1/2"-15L
18	1	20024018	Quick Coupler 1/2" Female
19	2	20024017	Quick Coupler 1/2" Male
20	2	20025037	Plug f. Coil w. diode
21	1	20060134	Plug 12V
22	1	20060140	Box f. Hxxs Switch
23	1	20060135	Seal Nut f. Switch 20060136
24	1	20060136	Switch 1-0-2 Spring Return
25	2	20060138	PG9
26	1	20060137	Magnet f. El-Box
27	2	20024049	Hose Clamp \varnothing 20
28	2	39061216	Washer M6
29	2	32506045	Bolt M6 x 40
30	2	20060139	PG9 Nut
31	11	20024080	Bonded Seal 3/8"
32	4	20024003	Banjo Bolt 3/8"
33	1	20024005	Dust Cap f. Female
34	2	20024010	Dust Cap f. Male



Pos.	Pcs.	Part/No	Description
1	1	20023016	Hydraulic Hose 1/2" 1240mm
2	1	20023012	Hydraulic Hose 1/2" 2510mm
3	1	20023010	Hydraulic Hose 1/2" 1060mm
4	1	20023017	Hydraulic Hose 1/4" 280mm
5	2	20023018	Hydraulic Hose 1/4" 310mm
6	2	20023014	Hydraulic Hose 1/4" 220mm
7	2	20023013	Hydraulic Hose 1/4" 340mm
8	1	20023011	Hydraulic Hose 3/8" 1150mm
9	1	20023015	Hydraulic Hose 3/8" 1220mm