



FSI D30

Spare Parts List

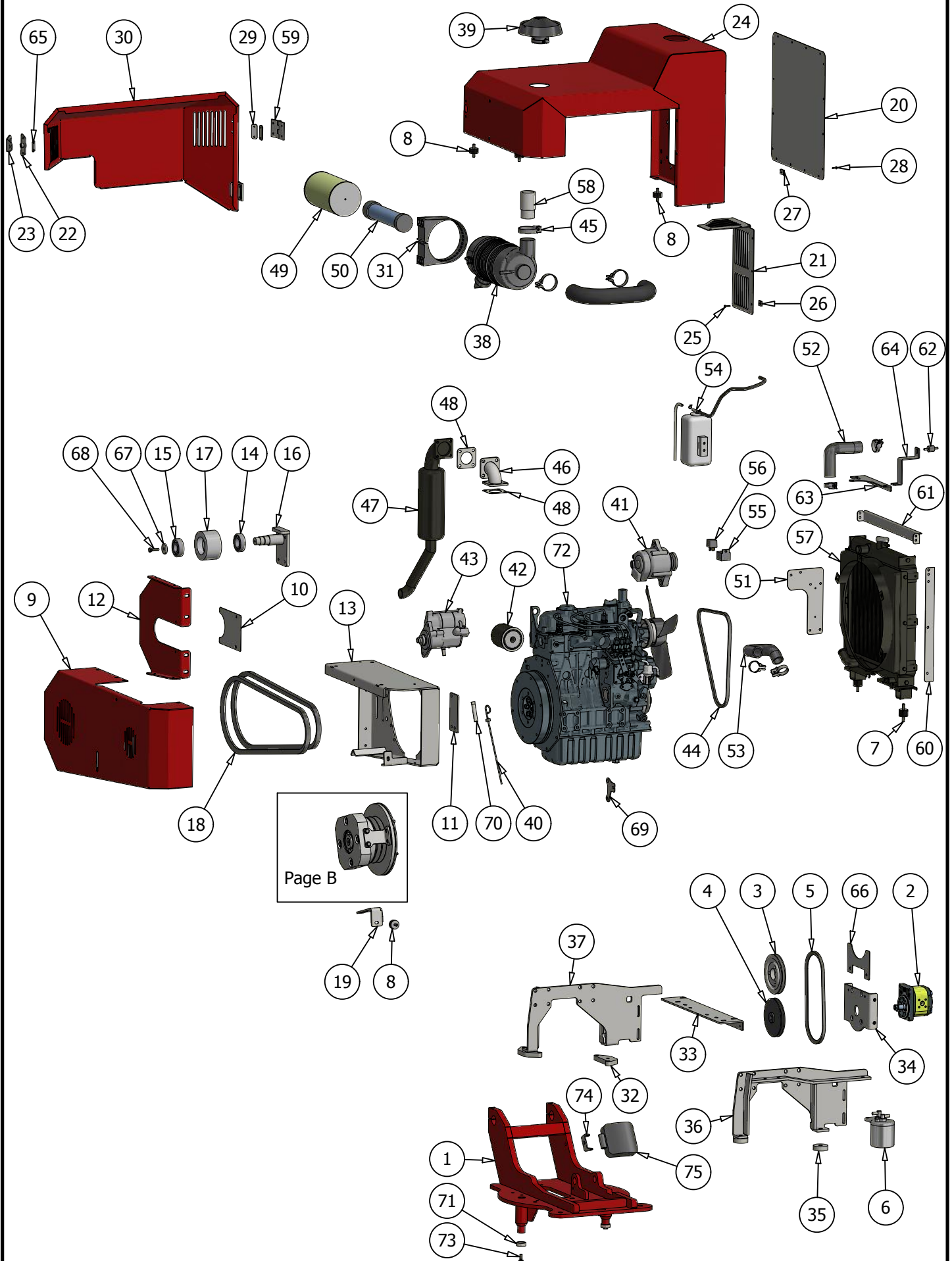
For Product number:

| A141020 |



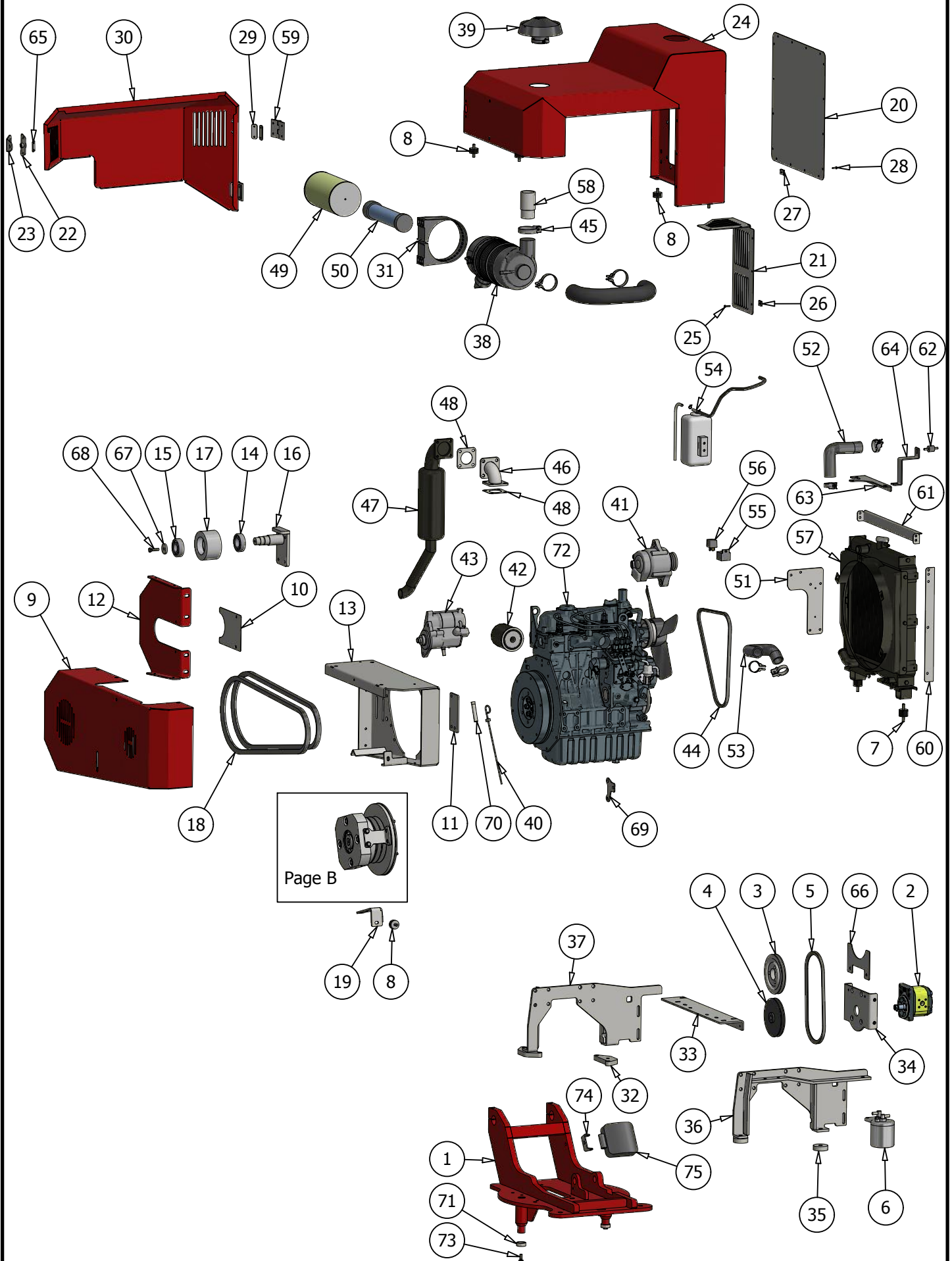
Version 1.4, 05-2019, English

Type	Page	Intern no.
D30 Engine	A	55502873

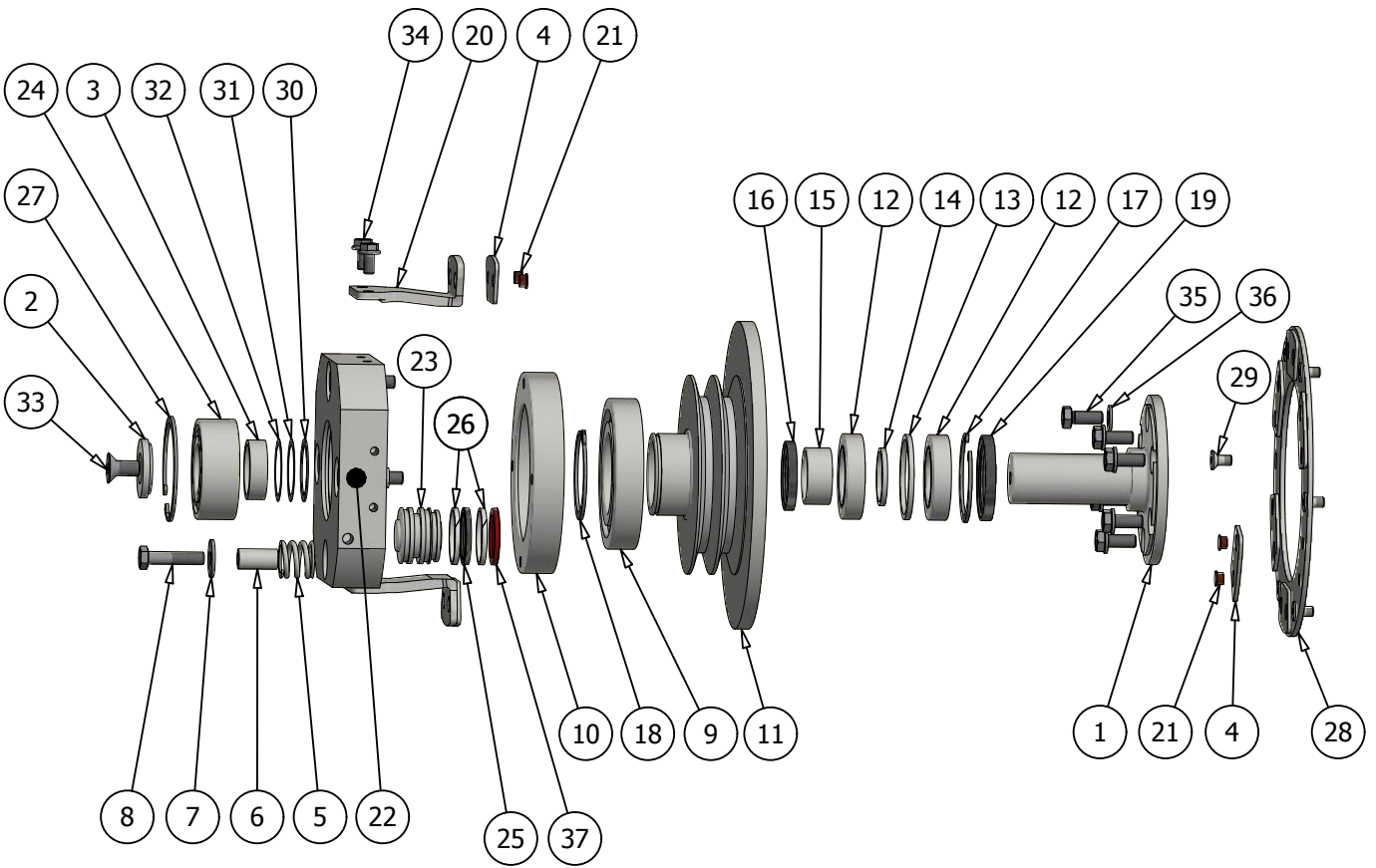


Pos.	Pcs.	Part/No	Description
1	1	44276300	Engine Frame B28
2	1	20022119	Hydraulic Pump D30-470
3	1	44277400	Pulley Spz 132
4	1	44277500	Pulley Spz 132, 1:8
5	1	20050068	V-Belt XPZ 750
6	1	20032022	Fuel Filter D30
7	2	20030044	Vibration Absorber $\varnothing 30 \times 22$ 2xM8
8	5	20030068	Vibration Absorber $\varnothing 30 \times 15$
9	1	44275201	V-Belt Cover
10	1	44275203	Shaft Cover
11	1	55501089	Bracket
12	1	55501867	Rear Cover f. Axle
13	1	55500087	Rear Cover f. Flywheel
14	1	20040025	Bearing $\varnothing 30$
15	1	20040026	Bearing $\varnothing 25$
16	1	55500068	Belt Tensioner
17	1	55500136	Tension Roller D30
18	2	20050101	V-Belt SPB 1600R/P
19	1	55500025	Support Bracket
20	1	44276104	Radiator grid D30
21	1	44276900	Fan Grid D30
22	1	55500884	Buckle w. Nut
23	1	44276106	Buckle f. Engine Cover
24	1	55500958	Engine Cover D30
25	5	60000165	Clip Screw 4,8x16
26	5	60000219	Clip Nut $\varnothing 4,8$
27	16	60000167	Clip Nut $\varnothing 5,5$
28	16	60000164	Clip Screw 5,5x19
29	4	55501103	Bracket f. Hinge
30	1	44277600	Cover Engine Front D30-470
31	1	20051003	Bracket f. Airfilter D30
32	2	44275308	Mounting Bracket
33	1	44275307	Radiator Bracket D30
34	1	55502501	Pump Bracket
35	2	55502503	Washer
36	1	55502809	Engine Bracket D30 Right
37	1	55502810	Engine Bracket D30 Left
38	1	20032020	Air Filter Unit D30
39	1	20032010	Raincover $\varnothing 51$ mm D30
40	1	60000069	Dipstick D30 Kubota
41	1	20052012	Alternator D30 Kubota
42	1	20032021	Oil Filter D30 Kubota
43	1	20052008	Starter
44	1	20052009	V-Belt f. Fan and Alternator D30
45	1	20070044	Snap Ring Ext. $\varnothing 20$

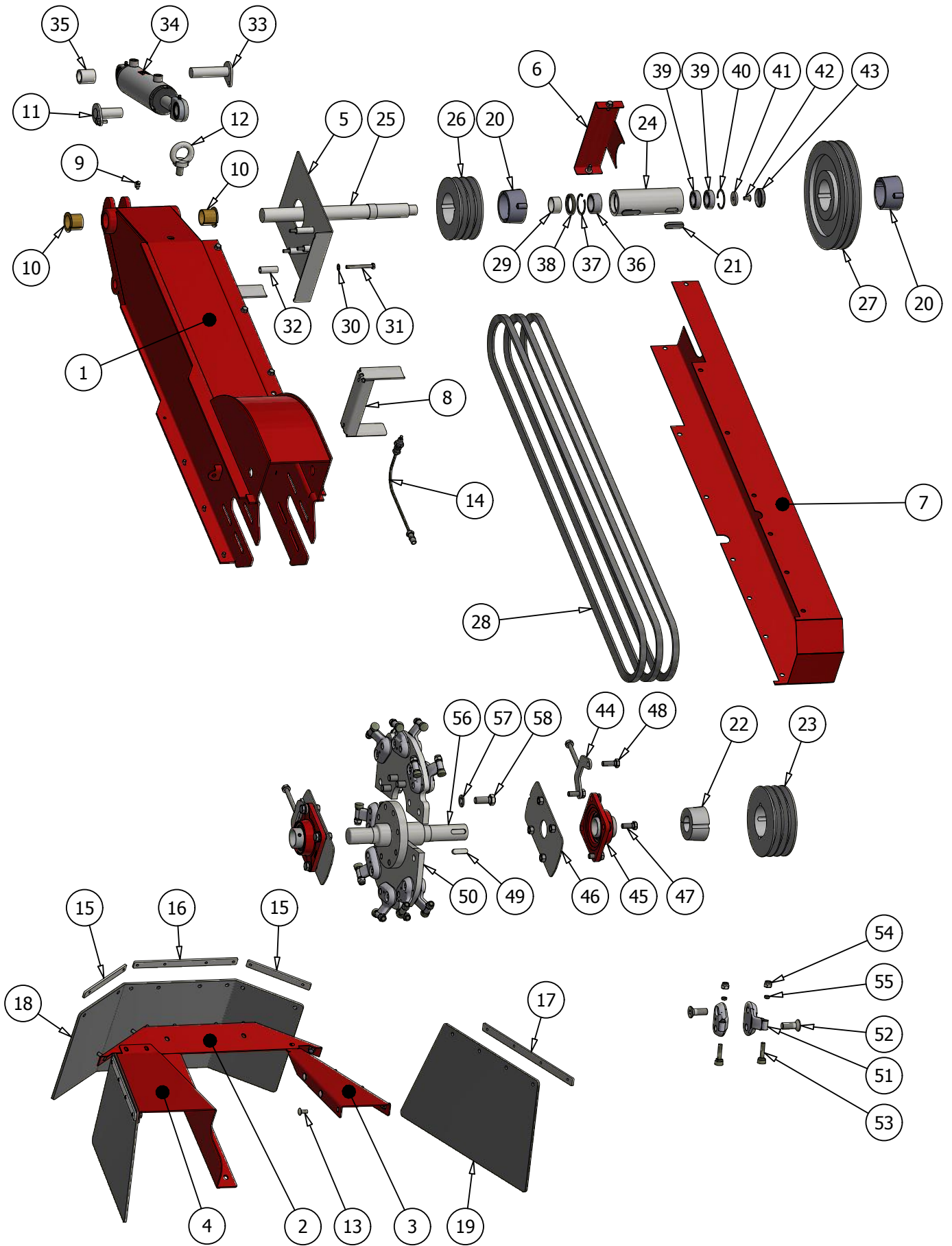
Type	Page	Intern no.
D30 Engine	A	55502873



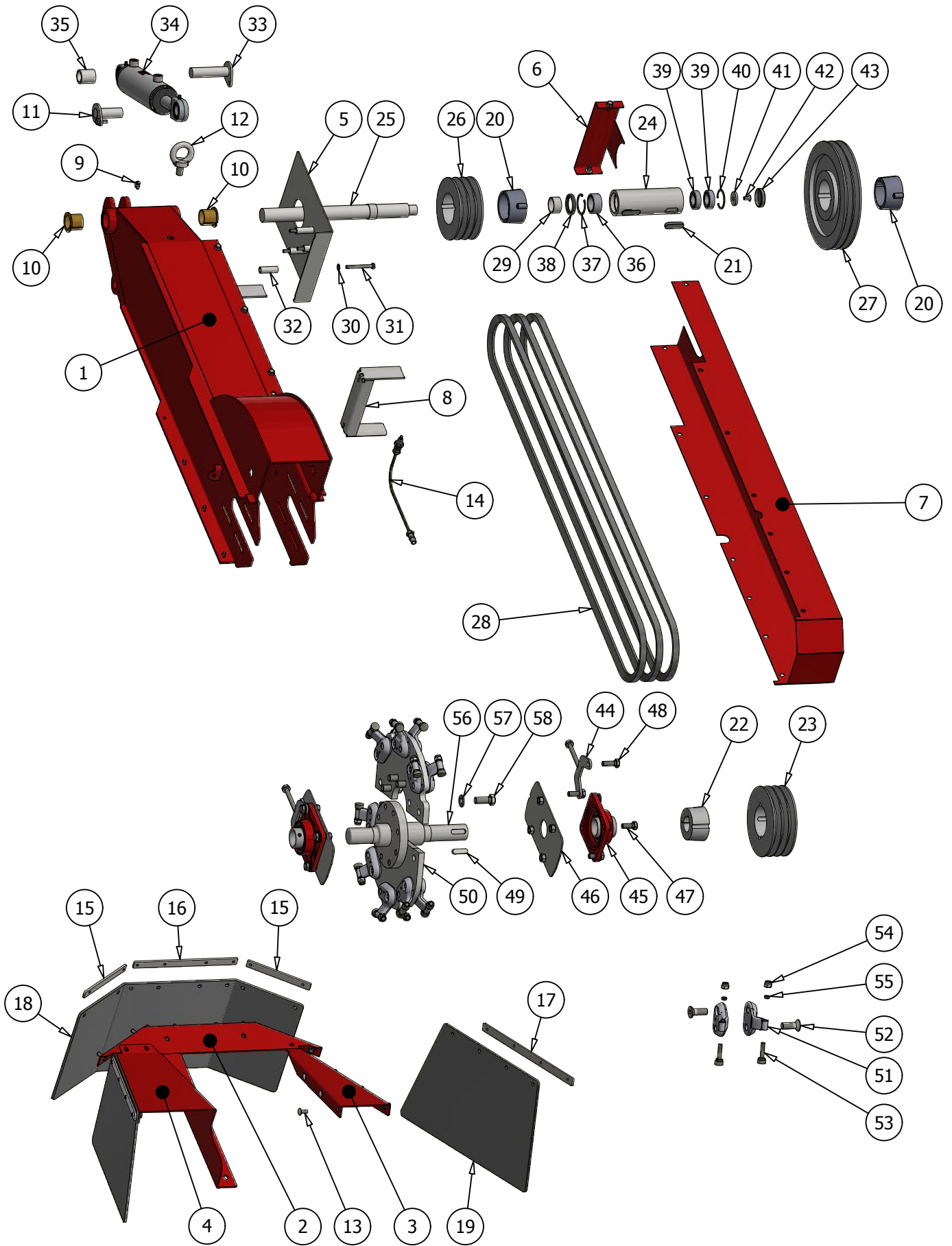
Pos.	Pcs.	Part/No	Description
46	1	44278603	Exhaust Bend D30
47	1	55500403	Exhaust Muffler Down D30
48	2	44278604	Exhaust Gasket
49	1	20032004	Airfilter Outer
50	1	20032005	Airfilter Inner
51	1	44276800	Bracket f. Coolant Reservoir
52	1	20052010	Radiator Hose Top f. D30
53	1	20052011	Radiator Hose Bottom f. D30
54	1	20052018	Coolant Reservoir
55	1	20060035	Socket f. Relay
56	1	20060034	Relay with Fuse
57	1	20052004	Radiator f. D30
58	1	55500159	Extension Tube, Aspiration D30
59	2	20060018	Hinge cc34mm
60	2	55500352	Radiator Cover Sides
61	1	55500353	Radiator Cover Top
62	1	20030045	Vibration Absorber M6 20 X 20
63	1	55500897	Bracket f. Radiator Top D30 - Part 1
64	1	55500899	Bracket f. Radiator Top D30 - Part 2
65	1	55500985	Bracket f. Engine Cover
66	1	44275310	Pump Belt Cover
67	1	44955100	End Disc \varnothing 35x8,5
68	1	32008030	Bolt M8x30
69	1	44275802	Bracket f. Throttle Cable
70	1	44277800	Dipstick Tube
71	2	55503286	Disc
72	1	20051004	Kubota Engine
73	2	32008020	Bolt M8x20
74	1	55501102	Bracket f. LED Worklight
75	1	60000228	LED Worklight



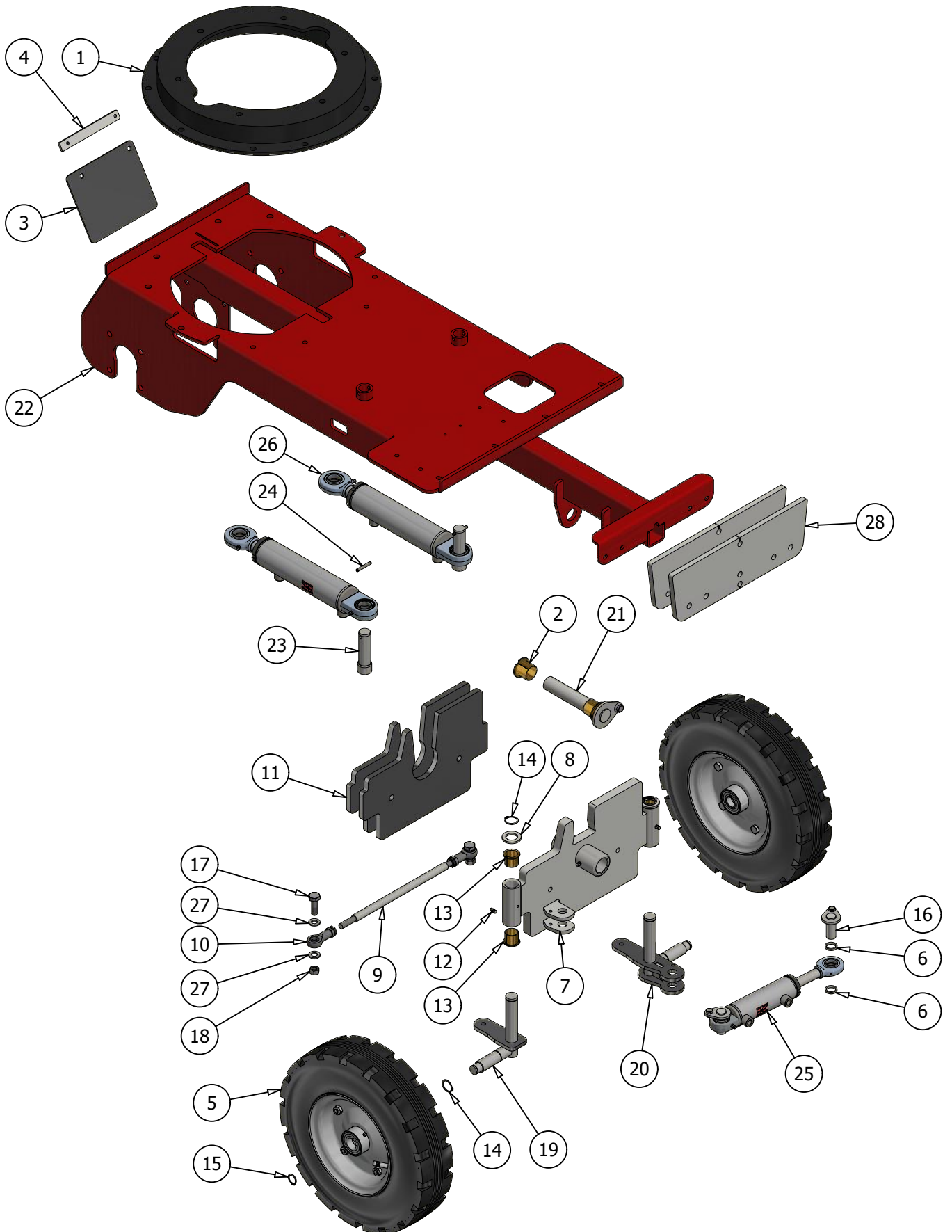
Pos.	Pcs.	Part/No	Description
1	1	55500039	Clutch Shaft
2	1	55500030	End Disc
3	1	55500036	Distance Ring
4	8	55500023	Brake-Clutch Pad
5	4	20070032	Spring, Clutch
6	4	55500035	Distance Tube $\varnothing 16 \times 2,5 \times 31$
7	4	20030063	Washer $\varnothing 10,5 \times 30 \times 2,5$
8	4	32510045	Bolt M10X45
9	1	20040035	Bearing f. Clutch
10	1	55500031	Pressureplate
11	1	55500028	Pulley SPB 150
12	2	20040033	Roller Bearing
13	1	55500038	Distance Ring
14	1	55500037	Distance Ring
15	1	20040032	Inner Ring 40x45x20
16	1	20054002	Shaft Seal Ring 45x55x7
17	1	20070035	Snap Ring Internal $\varnothing 65 \times 2,5 \text{mm}$
18	1	20070033	Snap Ring External $\varnothing 65 \times 2,5 \text{mm}$
19	1	20054003	Shaft Seal Ring 50x68x8
20	2	55500033	Brake Rod D30
21	16	20030059	Rivet f. Brake-Clutch Pad
22	1	55500021	Cylinder Part f. Clutch D30
23	4	55500029	Piston f. Clutch
24	1	20040034	Outer Bearing
25	4	20054000	Piston Seal
26	8	20054001	Sliding Ring f. Piston
27	1	20070034	Snap Ring Internal $\varnothing 80$
28	1	55500026	Clutch Facing Flange D30
29	6	34008016	CS Bolt M8x16
30	1	20030062	Shim $\varnothing 40 \times 50 \times 1$
31	1	20030061	Shim $\varnothing 40 \times 50 \times 0,3$
32	1	20030060	Shim $\varnothing 40 \times 50 \times 0,2$
33	1	34012025	Bolt M12 X 25
34	2	31508016	M8 X 16 Bolt w. Flange
35	6	35010025	Kubota Bolt M10x1,25x25 NV14
36	6	39102020	Washer M10
37	4	20054006	Scraper Ring f. Piston Clutch



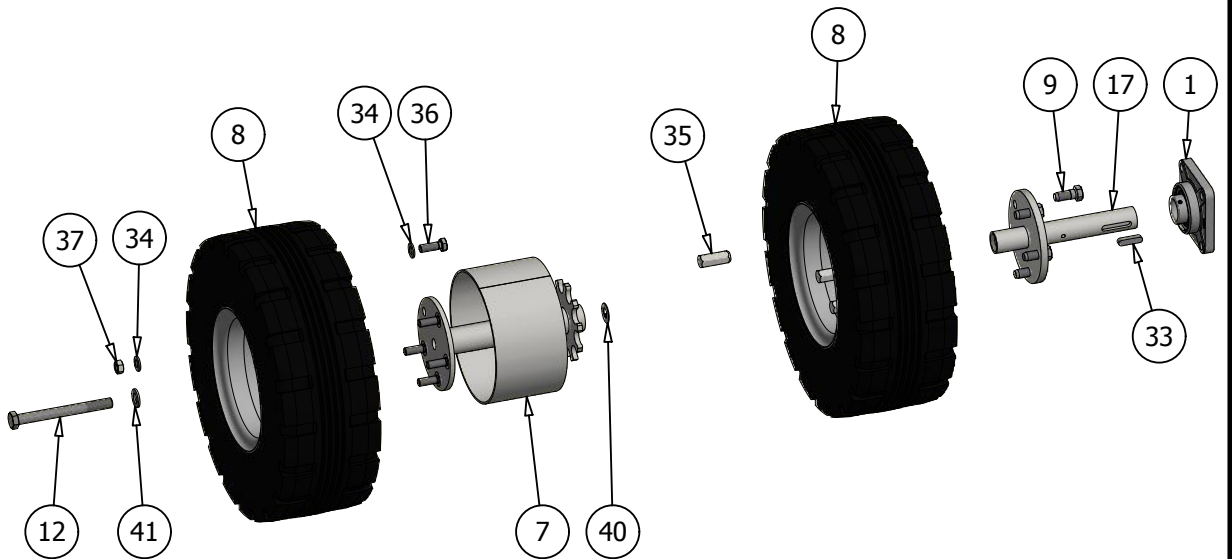
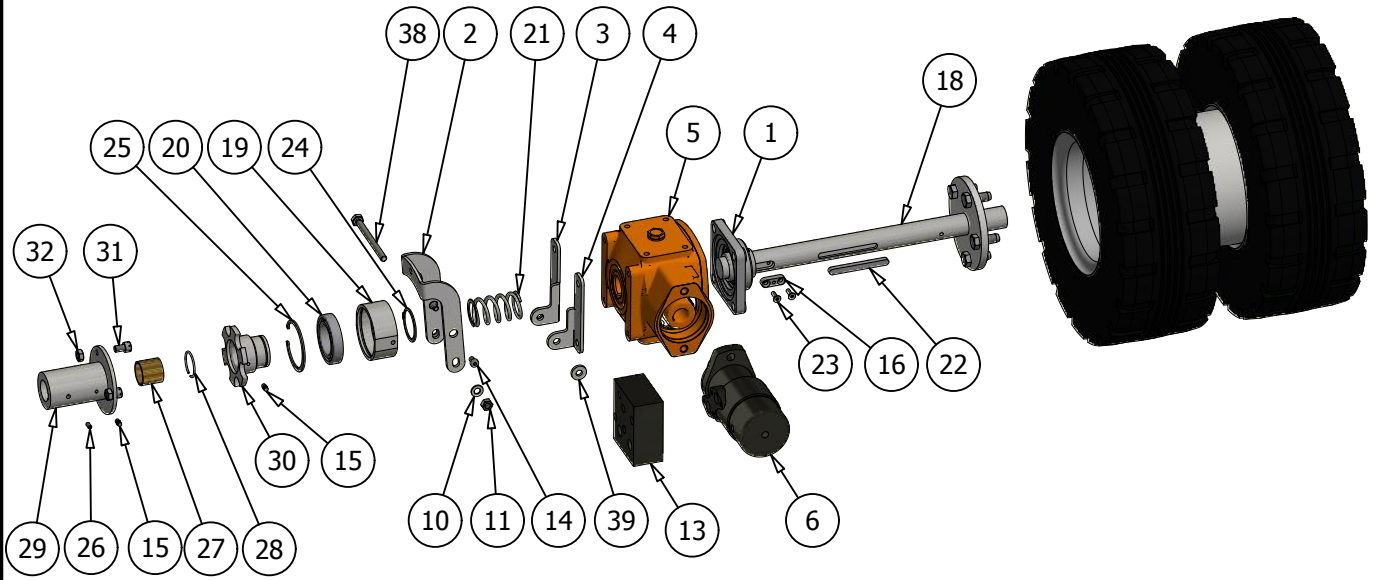
Pos.	Pcs.	Part/No	Description
1	1	55501221	Cutter Arm
2	1	44251202	Protection Rear
3	1	44251203	Protection Left
4	1	55501104	Protection Right
5	1	44251303	Coverplate f. V-belt
6	1	44251302	Rear Part f. V-belt Cover
7	1	44251301	V-belt Cover
8	2	44278500	V-belt Guide
9	1	60000251	Grease Nipple M6, Angled 90
10	2	20040012	Bronze Bushing Ø35 w. Flange
11	1	55500050	Cyl. Bolt Ø25x63
12	1	20030049	Lifting Bolt M16
13	3	20030001	Carriage Bolt M8 X 16
14	1	55500085	Greasehose incl. Nipples
15	2	44114800	Mounting Strip 170mm - 2 Holes
16	1	44114900	Mounting Strip 280mm - 4 Holes
17	2	44122500	Mounting Strip 400mm - 4 Holes
18	1	20011241	Rubber Protection Rear
19	2	20011242	Rubber Protection Side
20	2	20050081	Clamping Element f. Pulley
21	2	20030029	Groove 18X11X50
22	1	20050003	Clamping Element f. Pulley
23	1	20050006	Pulley Ø170B-3
24	1	44250100	Hub f. Axle
25	1	44250200	Axle
26	1	20050079	Pulley 150B-3
27	1	20050103	Pulley Ø265B-2
28	3	20050011	V-belt SPB 2650
29	1	20040022	Inner Ring Bearing
30	4	39081512	Washer M8
31	4	32508070	Bolt M8x70
32	4	55500787	Distance Pipe f. HY-Hoses
33	1	44115801	Cyl. Bolt Ø25x98
34	1	20026023	HY-Cylinder 140-30-60-Ø25
35	1	55501424	Bushing Cyl. Bolt
36	1	20040023	Needle Bearing
37	1	20070037	Snap Ring Internal Ø50
38	1	20054004	Shaft Seal Ring
39	2	20040021	Bearing
40	1	20070036	Snap Ring Internal Ø47
41	1	44250203	Stop Washer f. Bearing Between Shaft
42	1	34508016	Bolt CS M8x16
43	1	20054005	Plug Ø47
44	2	44102300	Belt tensioner
45	2	20040002	Flange Bearing ø40mm



Pos.	Pcs.	Part/No	Description
46	2	55500047	Coverplate f. Bearing
47	4	32012030	Bolt M12x30
48	4	32012035	Bolt M12x35
49	1	20030025	Groove 12x8x40
50	1	55500164	Cutter Wheel Set, Ø470
51	16	12454500	Holder cc45mm for Tooth Ø24,5mm
52	16	12051016	Bolt L=51mm for Holder Ø17-20-24,5mm
		12450000	Tooth Ø24,5mm w. Extra Nut (Pos 53, 54x2, 55)
53	16	12450000-T	Tooth Ø24,5mm, konic washer and 2 x Nut
54	16	12450000-N	Nut Extra f. Tooth Ø24,5mm
55	16	12450000-W	Washer f. Tooth Ø24,5mm
56	1	20011259	Shaft f. Cutting Wheel
57	8	39163030	Washer M16
58	8	32016040	Bolt M16X40

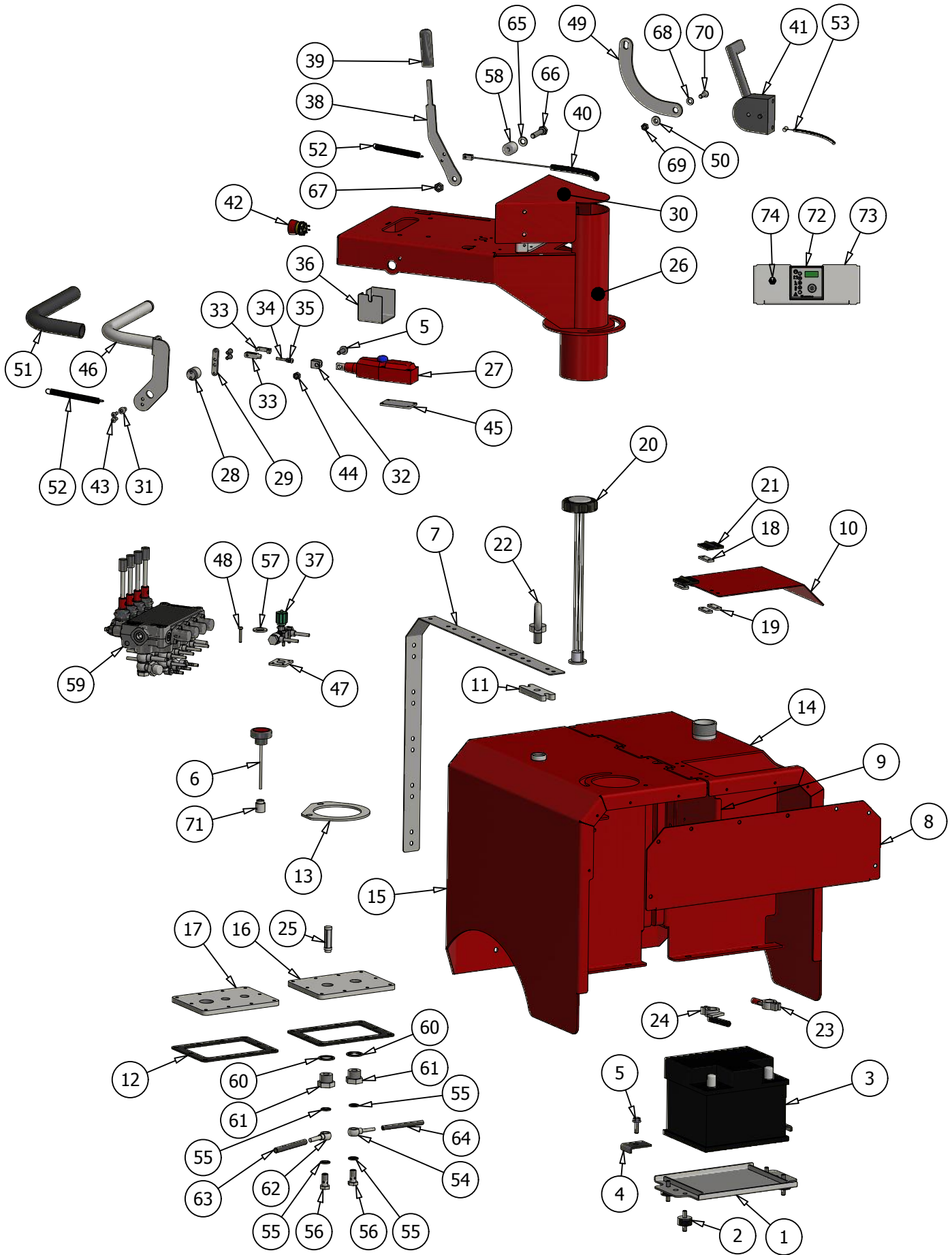


Pos.	Pcs.	Part/No	Description
1	1	20070001	Turntable B28/D30
2	2	20040019	Bronze Bushing Ø30 w. Flange
3	1	20012780	Rubber Cover f. Gear
4	1	44114800	Mounting Strip 170mm - 2 Holes
5	2	20031017	Wheel Ø410*110mm
6	4	44275604	Washer f. HY-Cylinder
7	1	44275600	Steering Base Frame B28/D30
8	2	44277005	Stop Washer f. Kingpin
9	1	44276500	Track Rod
10	2	20030043	Ball Joint Ø12-M12 Inner Thread
11	2	44275602	Counterweight
12	3	20030011	Grease Nipple M6
13	4	20040018	Bronze Bushing Ø25 w. Flange
14	4	20070040	Snap Ring External Ø25
15	2	20070041	Snap Ring External Ø20
16	2	55500080	Cyl. Bolt Ø20x45
17	2	32012040	Bolt M12x40
18	2	38000212	Lock Nut M12
19	1	55500075	Kingpin w/o Bracket f. HY-Cylinder
20	1	55500076	Kingpin w. Bracket f. HY-Cylinder
21	1	55500074	Cyl. Bolt Ø30x160
22	1	55500092	Frame B28/D30
23	2	44277109	Cyl. Bolt Ø30x100
24	2	20030070	Pin Ø6x40
25	1	20026028	HY-Cylinder 90-20-40-Ø20
26	2	20026026	HY-Cylinder 150-25-50-Ø25
27	4	39122425	Washer M12
28	2	44277107	Counterweight



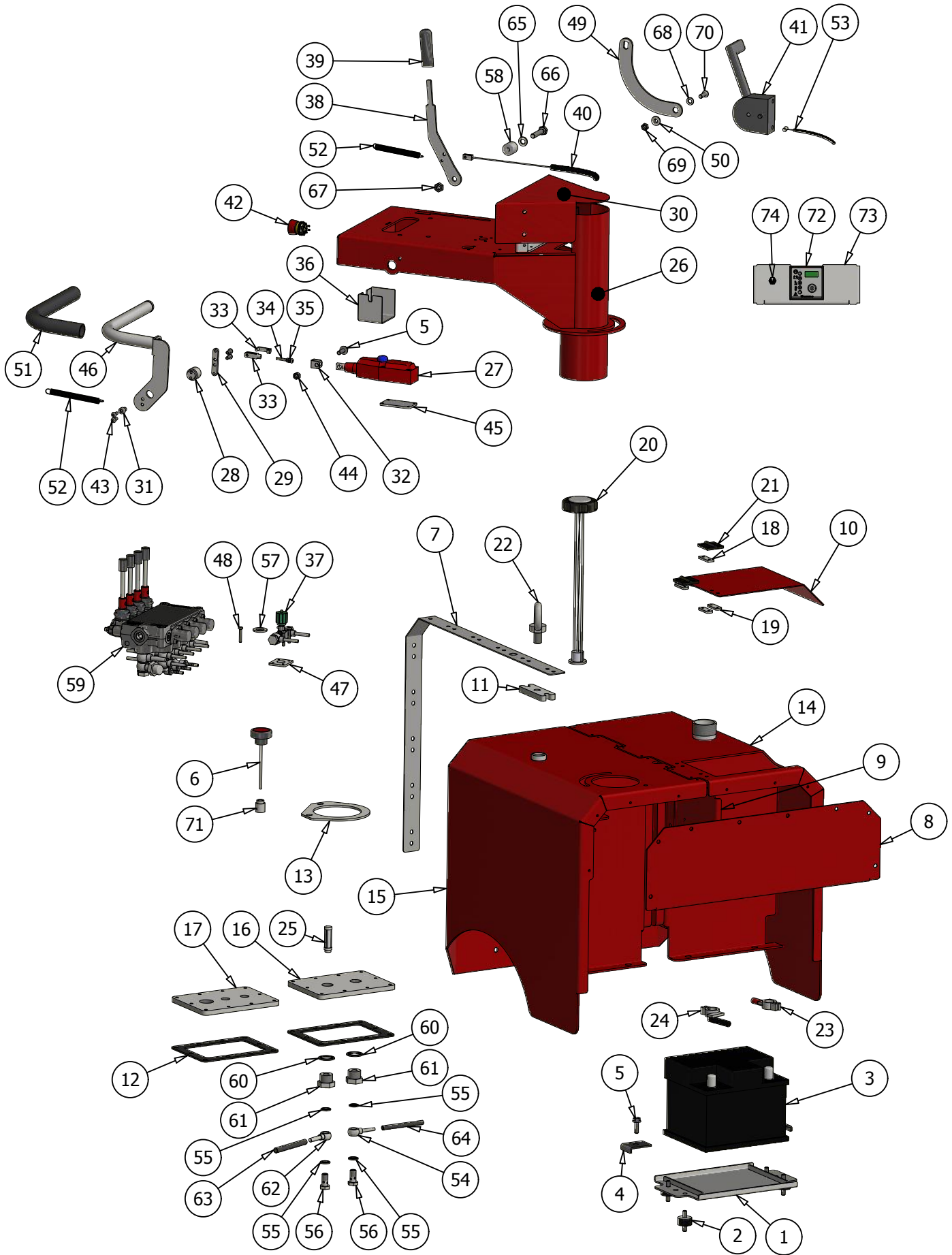
Pos.	Pcs.	Part/No	Description
1	2	20040027	Flange Bearing Comp. Ø35mm Wheel Axle
2	1	44276701	Fork f. Diff Lock
3	1	44276702	Bracket f. Fork, Right
4	1	44276703	Bracket f. Fork, Left
5	1	20050026	Gear f. Wheel Traction
6	1	20022009	Hydraulic Drive Motor
7	2	44275900	Bracket Twin Wheel D30-B28-B30
8	4	20031016	Wheel 440*180mm
9	10	20031008	Bolt f. Wheel
10	2	3910202	Washer M10
11	1	38000210	Lock Nut M10
12	2	32516240	Bolt M16X240mm Twin-Wheels
13	1	20025003	Brake Release Valve
14	2	33508012	Bolt Insex M8x12
15	2	20030011	Grease Niple M6
16	1	44275502	Groove 13,5X9X40 f. Diff-Lock
17	1	55500071	Drive Shaft Short
18	1	55500072	Drive Shaft Long
19	1	44275404	Difflock Ring f. Bearing
20	1	20040024	Bearing f. Diff. B28+D30
21	1	20070017	Spring f. Diff.-Lock B28+D30
22	1	20030027	Groove 10X8X100
23	2	34006020	Bolt Hex Countersunk M6x20 10,9
24	1	20070038	Snap Ring External Ø50
25	1	20070034	Snap Ring Internal Ø80
26	1	34606012	Set Screw M6x12
27	1	20040020	Bronze Bushing Ø35 w/o Flange
28	1	20070019	Snap Ring f. Bushing B28-B30-D30
29	1	55500056	Diff-Lock Hub Fixted Part Left Side B28-B30-D30
30	1	55500057	Diff Lock Sliding Part
31	3	33510016	Bolt Insex M10X16 Black 12.9
32	3	38000210	Lock Nut M10
33	1	20030069	Groove 10X8X40
34	20	39122425	Washer M12
35	10	44679900	Long Hub Nut D67-D30-B30
36	10	32012035	Bolt M12x35
37	10	38000212	Lock Nut M12
38	1	32510120	Bolt M10x120
39	2	20030063	Washer Ø10,5X30X2,5
40	2	20070046	M16 Starlock f. Twinwheel Bolt
41	2	39163030	Washer M16

Type	Page	Intern no.
D30 Fueltank and operatorpanel	F	55502830



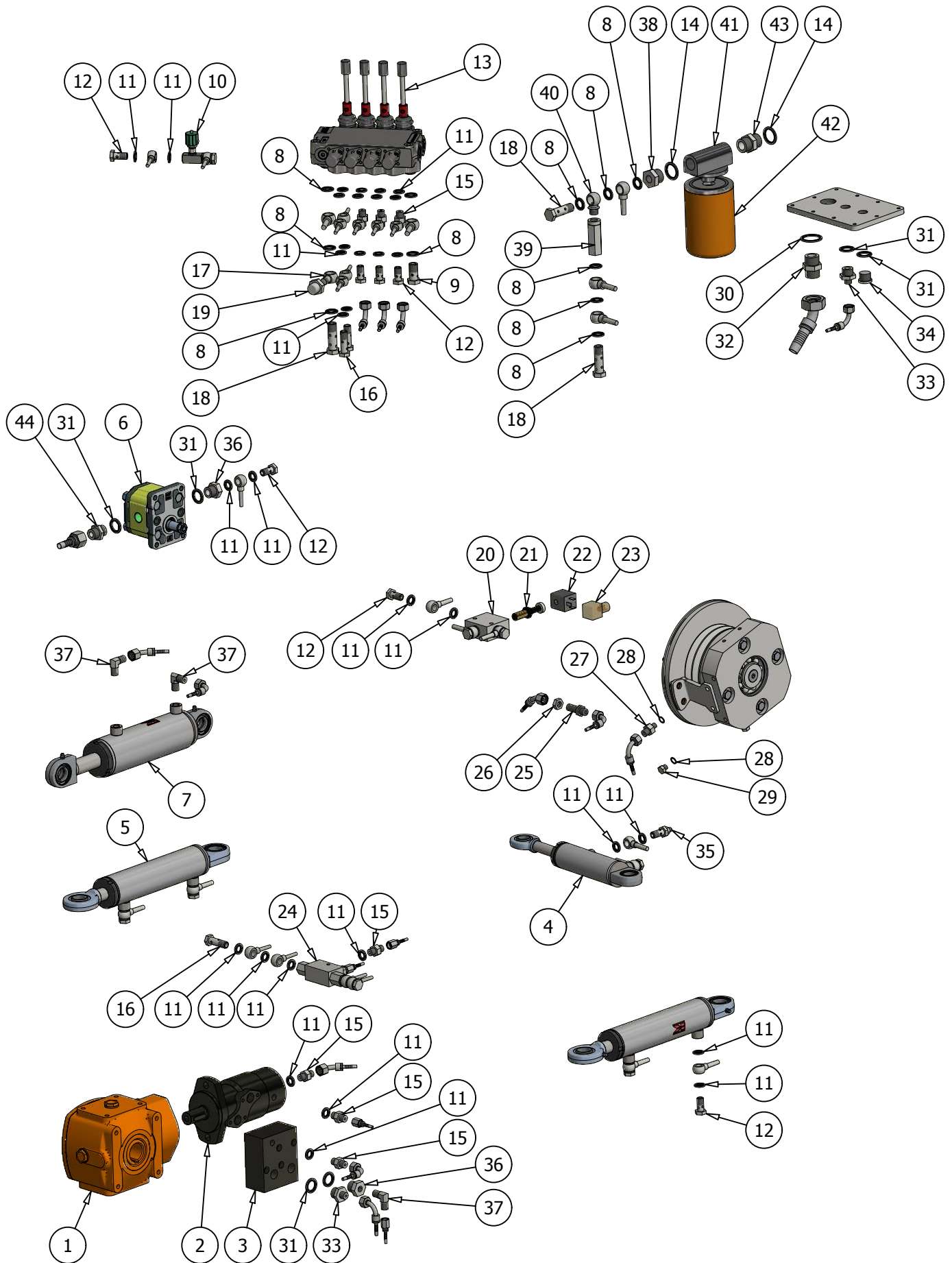
Pos.	Pcs.	Part/No	Description
1	1	44123200	Battery Plate
2	4	20030068	Vibration Absorber Ø30x15
3	1	20060053	Start Battery
4	2	44123300	Battery Clamp
5	3	31508025	Bolt M8X25 w. Flange
6	1	20024041	HY-Tank Cap w. Dipstick
7	1	44277213	Mounting Strip Tank
8	1	44277208	Flange
9	1	44277209	Tool Box
10	1	44277212	Lid f. Tool Box
11	1	44277217	Lifting Bracket
12	2	44278100	Gasket f. Basecover Fuel + Hydraulic
13	1	44277220	Guide f. Controlpanel
14	1	55500088	Fuel-Tank
15	1	55500089	HY-Tank
16	1	55500693	Base Cover f. Fuel Tank
17	1	55500667	Bottom plate for hydraulic tank
18	2	55501196	Distance Plate f. Hinge
19	4	55501197	Clamping Plate f. Hinge
20	1	20030094	Fuel Cap w. Indicator B28+D30 Threaded
21	2	20060091	Hinge f. Toolbox, Plastic
22	1	20030049	Lifting Bolt M16
23	1	20060038	Battery Connector +
24	1	20060037	Battery Connector -
25	1	20032023	Fuel Tank Filter
26	1	55500250	Control Panel
27	1	20060089	Start/stop Safety Switch
28	1	55500246	Bushing f. Safety Bar
29	1	55500249	Arm f. Swich
30	1	55500247	Cover f. Control Panel
31	1	33001012	Insex Bolt M8x12
32	1	55500241	Bracket f. Start Swich
33	2	20030085	Fork End - 5mm
34	1	31005035	Buttonhead M5x35
35	3	38000105	Nut M5
36	1	55500242	Box f. E-Stop
37	1	20025001	Flow Valve, 1/4"
38	1	44275704	Handle f. Diff. Lock
39	1	20030073	Plastic Grip f. Break Lever
40	1	20060055	Cable f. Diff.
41	1	20060057	Throttle Lever
42	1	20060080	E-Stop (Ce4P-10R-02)
43	4	31006016	Buttonhead M6x16
44	1	38000108	Nut M8
45	1	55500409	Clamping Plate f. Start/Stop Switch

Type	Page	Intern no.
D30 Fueltank and operatorpanel	F	55502830

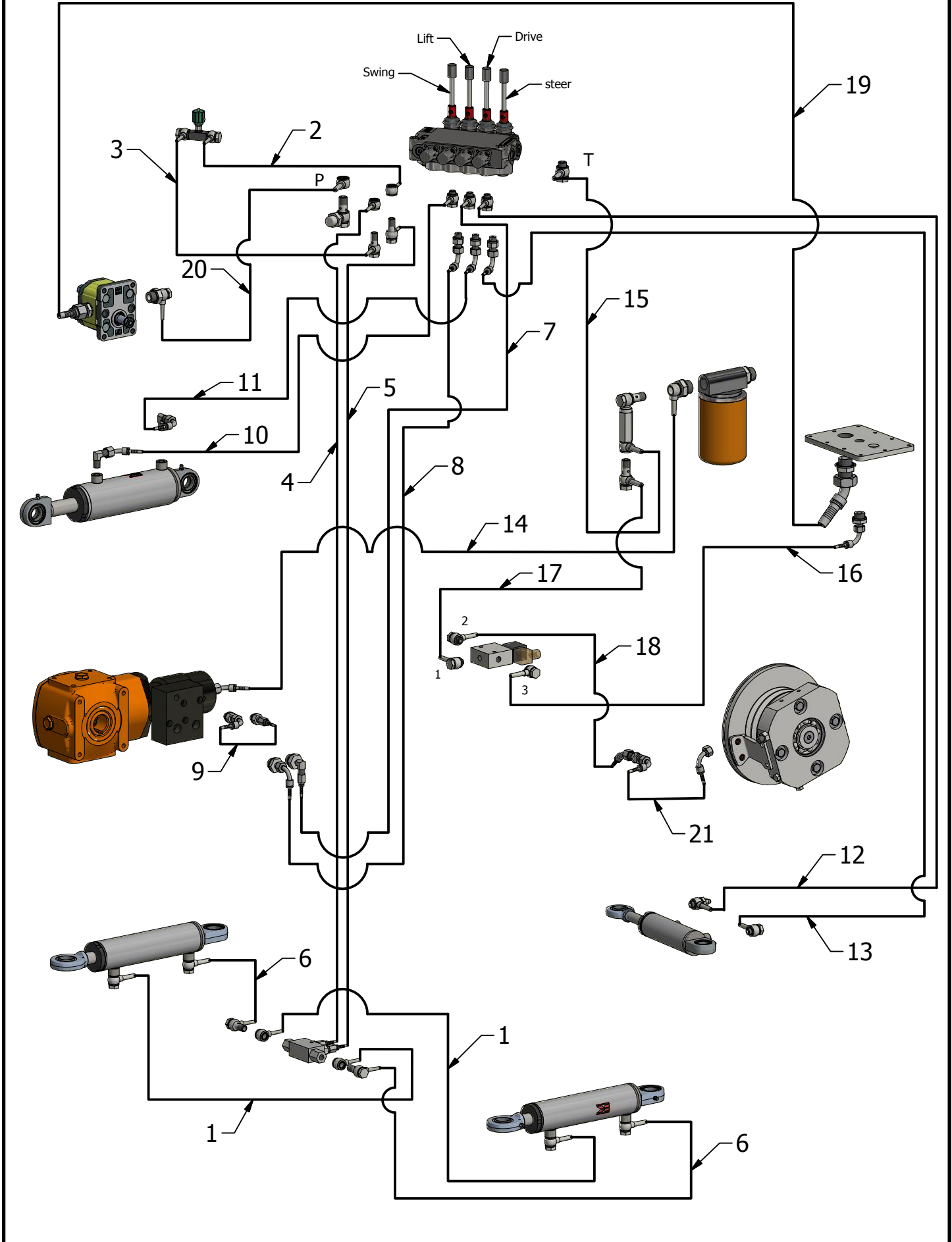


Pos.	Pcs.	Part/No	Description
46	1	55500412	Safety Bar
47	1	44275708	Mounting Plate Flow Valve
48	4	31005030	Buttonhead M5x30
49	1	55500407	Support f. Safety Bar
50	1	55500408	Guide f. Safety Bar
51	1	55500343	Safety Bar Padding
52	2	20070018	Spring f. Safety Bar
53	1	20060056	Cable f. Throttle
54	1	20024009	Hose Connector 1/4" - 1/4"
55	23	20024066	Bonded Seal 1/4"
56	7	20024068	Banjo Bolt 1/4"
57	1	44275707	Washer f. Flow Valve
58	1	44275711	Threaded Bush
59	1	20025039	Valve
60	2	20024043	Bonded Seal 3/4"
61	2	20024107	Adaptor 1/4-3/4"
62	1	60000776	Hose Connector 5/16" - 1/4"
63	1	20070021	Fuel Hose Ø8Mm
64	1	20070048	Fuel Hose Ø5Mm
65	1	39102020	Washer M10
66	1	32010050	Bolt M10 x 50
67	1	38000210	Locknut M10
68	1	39081512	Washer M8
69	1	38000208	Locknut M8
70	1	31008025	Button head M8x25
71	1	44278400	Dipstick Bushing
72	1	20060032	Start Box f. D30
73	1	55500248	Cover f. Start Box
74	1	60000182	Switch

Type	Page	Intern no.
D30 Hydraulic	G	55502885



Pos.	Pcs.	Part/No	Description
1	1	20050026	Gear f. Wheel Traction
2	1	20022009	Hydraulic Drive Motor
3	1	20025003	Brake Release Valve
4	1	20026028	HY-Cylinder 90-20-40-Ø20
5	2	20026026	HY-Cylinder 150-25-50-Ø25
6	1	60001322	HY-pump D30
7	1	20026023	HY-Cylinder 140-30-60-Ø25
8	11	20024080	Bonded Seal 3/8"
9	1	20024003	Banjo Bolt 3/8"
10	1	20025001	Flow Valve, 1/4"
11	50	20024066	Bonded Seal 1/4"
12	14	20024068	Banjo Bolt 1/4"
13	1	20025039	Valve
14	2	20024043	Bonded Seal 3/4"
15	8	20024071	Adaptor 1/4"
16	4	20024047	Banjo Bolt 1/4" Double
17	1	20024113	Banjo Adaptor 3/8" - 1/4" Thread
18	3	20024037	Banjo Bolt Double 3/8"
19	1	60000063	Plug 1/4"
20	1	20025034	Housing f. Cartridgevalve
21	1	20025035	Cartridgevalve
22	1	20025036	Coil f. Cartridgevalve
23	1	20025037	Plug f. Coil w. diode
24	1	20025004	Double Check Valve, 1/4"
25	1	20024076	Penetration 1/4"
26	1	60000140	Jam Nut 1/4"
27	1	20024077	Adaptor 1/4-1/8
28	3	20024082	Seal Washer, 1/8"
29	2	60000216	Plug 1/8" Hex
30	1	20024122	Bonded Seal 1"
31	6	20024044	Bonded Seal 1/2"
32	1	60000161	Adaptor 3/4" - 1"
33	2	20024072	Adaptor 1/2-1/4
34	1	20024013	Plug 1/2"
35	1	60000271	Throttle Screw 1/4"
36	2	20024029	Adaptor 1/2" - 1/4"
37	3	20024074	Angled 1/4- 1/4 NPT
38	1	20024081	Adaptor 3/4-3/8
39	1	20025033	One Way Valve 3/8" 10Bar
40	1	60000062	Threaded Banjo Bolt 3/8" - 3/8"
41	1	20032027	Hydraulic Filter Unit
42	1	20032018	Hydraulic Filter
43	1	20024083	Adaptor 3/4-3/4 Npt
44	1	20024016	Adaptor 1/2 - 1/2 BSP



Pos.	Pcs.	Part/No	Description
1	2	20023101	Hydraulic Hose 1/4" x 475
2	1	20023122	Hydraulic Hose 1/4" x 600
3	1	20023123	Hydraulic Hose 1/4" x 300
4	1	20023124	Hydraulic Hose 1/4" x 1250
5	1	20023125	Hydraulic Hose 1/4" x 1550
6	2	20023106	Hydraulic Hose 1/4" x 390
7	1	20023125	Hydraulic Hose 1/4" x 1550
8	1	20023108	Hydraulic Hose 1/4" x 1620
9	1	20023109	Hydraulic Hose 1/4" x 180
10	1	20023126	Hydraulic Hose 1/4" x 1910
11	1	20023111	Hydraulic Hose 1/4" x 1930
12	1	20023127	Hydraulic Hose 1/4" x 1230
13	1	20023113	Hydraulic Hose 1/4" x 1230
14	1	20023116	Hydraulic Hose 1/4" x 880
15	1	20023117	Hydraulic Hose 3/8" x 1000
16	1	20023118	Hydraulic Hose 1/4" x 400
17	1	20023119	Hydraulic Hose 1/4" x 480
18	1	20023120	Hydraulic Hose 1/4" x 1200
19	1	20023115	Fuel Hose 3/4" x 1720
20	1	20023128	Hydraulic Hose 1/4" x 2550
21	1	20023121	Hydraulic Hose 1/4" x 280